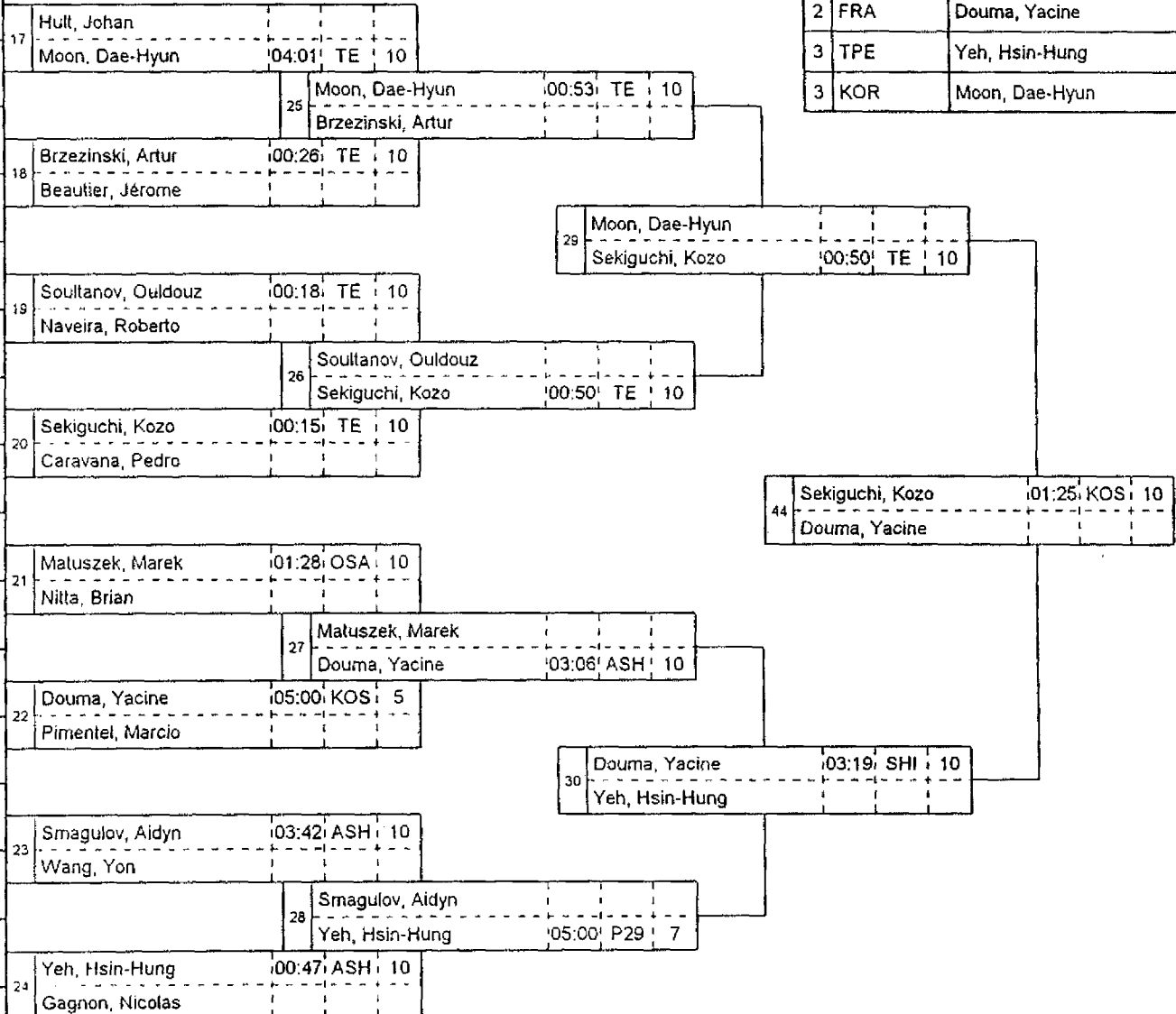


## Championnat du monde Universitaire 1996 (Jonquière, QC - 1996/12/10)

### 60Kg Sénior Masculin

#### Eliminatoire

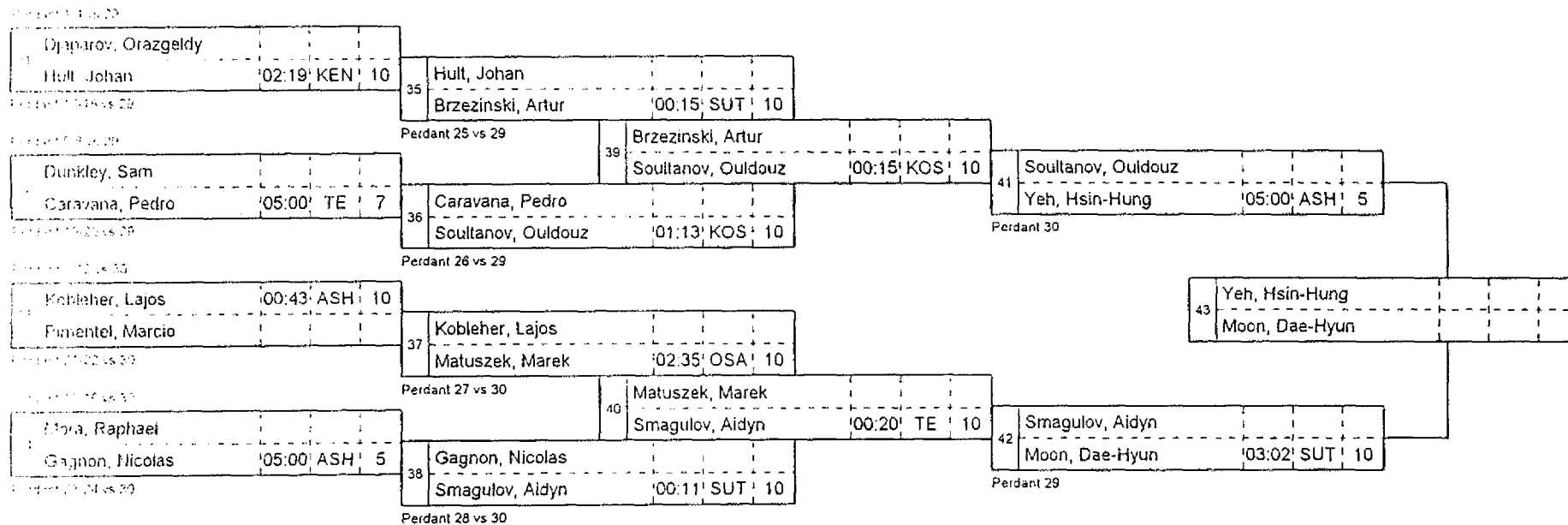
#	Pays	Grade	Nom - Name	Durée	Tech.	Rés.
1	SWE	1D	Hult, Johan			
2	KOR	1D	Moon, Dae-Hyun	'01:19'	ASH	10
3	AUT	1D	Wenzel, Gernot			
4	POL	1D	Brzezinski, Artur	'03:45'	ASH	10
5	SUI	1D	Beautier, Jérôme			
6	AZE	1D	Soultanov, Ouldouz			
7	GRE	1D	Karatzas, Christos			
8	ESP	1D	Naveira, Roberto	'03:28'	ASH	10
9	JPN	1D	Sekiguchi, Kozo	'05:00'	TE	5
10	GBR	1D	Dunkley, Sam			
11	HUN	1D	Kunyik, Zsolt			
12	POR	1D	Caravana, Pedro	'04:00'		1
13	SVK	1D	Matuszek, Marek			
14	MAC	1D	Vong, Kuan Hung			
15	USA	1D	Nitta, Brian	'00:08'	TE	10
16	FRA	1D	Douma, Yacine	'03:01'	ASH	10
17	YUG	1D	Kobleher, Lajos			
18	BRA	1D	Pimentel, Marcio	'03:35'	KEN	10
19	IND	1D	Van Oostrom, Martyn			
20	KAZ	1D	Smagulov, Aidyn			
21	FIN	1D	Ahti, Mika			
22	CHI	1D	Wang, Yon	'05:00'	TE	5
23	MEX	1D	Mora, Raphael			
24	TPE	1D	Yeh, Hsin-Hung	'00:11'	ASH	10
25	CYP	1D	Dimiriadis, Alexandros			
26	CAN	1D	Gagnon, Nicolas	'01:09'	SHI	10



CLASSEMENT		
17	JPN	Sekiguchi, Kozo
2	FRA	Douma, Yacine
3	TPE	Yeh, Hsin-Hung
3	KOR	Moon, Dae-Hyun

## Championnat du monde Universitaire 1996 (Jonquièrre, QC - 1996/12/10) 60Kg Sénior Masculin

### Repêchage



**Récapitulatif de la catégorie / Category Summary**  
**Championnat du monde Universitaire 1996 (Jonquière, QC - 1996/12/10)**  
**60Kg**

Classement Ranking	Nom, prénom Surname, First Name	Grade Rank	Pays Country	Vic./Win		Déf./Lost		Points/Scores					Pénalités/Penalties					Temps / Time	
				#	Pts	#	Pts	I	W	Y	K	Total	H	K	C	S	Total	Total	Moy./Av
Argent	Douma, Yacine	1D	FRA	4	35	1	10	3	0	1	0	4	0	0	0	0	0	15:51	03:10
Bronze	Moon, Dae-Hyun	1D	KOR	4	40	1	10	4	0	0	0	4	0	0	0	0	10:05	02:01	
Bronze	Yeh, Hsin-Hung	1D	TPE	4	32	1	10	2	0	1	0	3	0	1	0	0	14:17	02:51	
5	Soultanov, Ouldouz	1D	AZE	3	30	2	15	3	0	0	0	3	0	0	0	0	07:36	01:31	
5	Smagulov, Aidyn	1D	KAZ	3	30	2	17	3	0	0	0	3	0	0	0	0	12:15	02:27	
7	Brzezinski, Artur	1D	POL	3	30	2	20	3	0	0	0	3	0	0	0	0	05:34	01:06	
7	Matuszek, Marek	1D	SVK	2	20	2	20	2	0	0	0	2	0	0	0	0	07:29	01:52	
9	Gagnon, Nicolas	1D	CAN	2	15	2	20	1	0	1	0	2	0	0	0	0	07:07	01:46	
9	Caravana, Pedro	1D	POR	2	8	2	20	0	1	0	0	1	0	0	0	0	10:28	02:37	
9	Hult, Johan	1D	SWE	1	10	2	20	1	0	0	0	1	0	0	0	0	06:35	02:11	
9	Kobleher, Lajos	1D	YUG	1	10	2	20	1	0	0	0	1	0	0	0	0	06:19	02:06	
13	Pimentel, Marcio	1D	BRA	1	10	2	15	1	0	0	0	1	0	0	0	0	09:18	03:06	
13	Dunkley, Sam	1D	GBR	0	0	2	12	0	0	0	0	0	0	0	0	0	10:00	05:00	
13	Mora, Raphael	1D	MEX	0	0	2	15	0	0	0	0	0	0	0	0	0	05:11	02:35	
13	Djaparov, Orazgeldy	1D	TKM	0	0	2	20	0	0	0	0	0	0	0	0	0	03:38	01:45	
17	Wenzel, Gernot	1D	AUT	0	0	1	10	0	0	0	0	0	0	0	0	0	03:45	03:45	
17	Wang, Yon	1D	CHN	1	5	1	10	0	0	1	0	1	0	0	0	0	08:42	04:27	
17	Dimiriadis, Alexandros	1D	CYP	0	0	1	10	0	0	0	0	0	0	0	0	0	01:09	01:09	
17	Naveira, Roberto	1D	ESP	1	10	1	10	1	0	0	0	1	0	0	0	0	03:46	01:57	
17	Atti, Mika	1D	FIN	0	0	1	5	0	0	0	0	0	0	0	0	0	05:00	05:00	
17	Karatzas, Christos	1D	GRE	0	0	1	10	0	0	0	0	0	0	0	0	0	03:28	03:28	
17	Kunyik, Zsolt	1D	HUN	0	0	1	1	0	0	0	0	0	0	0	0	0	04:00	04:00	
17	Sekiguchi, Kozo	1D	JPN	5	45	1	10	4	0	1	0	5	0	0	0	0	11:01	01:5	
17	Vong, Kuan Hung	1D	MAC	0	0	1	10	0	0	0	0	0	0	0	0	0	00:08	00:0	
17	Van Oostrom, Martyn	1D	NED	0	0	1	10	0	0	0	0	0	0	0	0	0	03:35	03:3	
17	Beautier, Jérôme	1D	SUI	0	0	1	10	0	0	0	0	0	0	0	0	0	00:26	00:2	
17	Nitta, Brian	1D	USA	1	10	1	10	1	0	0	0	1	0	0	0	0	01:36	00:4	

Nombre de participant: 27

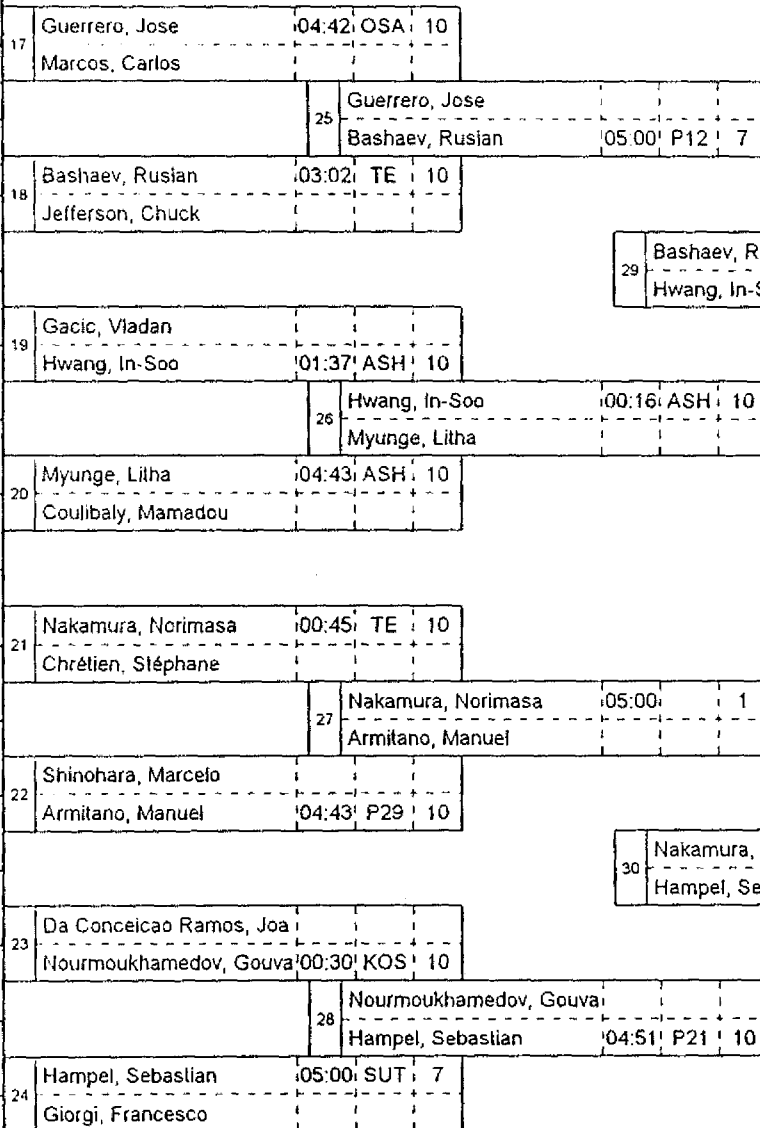
89:09 02:2

## Championnat du monde Universitaire 1996 (Jonquièra, QC - 1996/12/10)

### 65Kg Sénior Masculin

#### Eliminatoire

#	Pays	Grade	Nom - Name	Durée	Tech.	Rés.
1	MEX	1D	Guerrero, Jose			
2	ESP	1D	Marcos, Carlos			
3	RUS	1D	Nastouev, Mousa			
4	UKR	1D	Bashaev, Ruslan	'01:22'	TE	10
5	USA	1D	Jefferson, Chuck			
6	YUG	1D	Gacic, Vldan			
7	VEN	1D	Castelli, Jose			
8	KOR	1D	Hwang, In-Soo	'01:48'	OSA	10
9	RSA	1D	Myunge, Litha	'00:28'	TE	10
10	MCH	1D	Frola, Pierre			
11	MAL	1D	Coulibaly, Mamadou	'05:00'	TE	5
12	GRC	1D	Miranda Jr, Luis			
13	JPN	1D	Nakamura, Norimasa			
14	CAN	2D	Chrétien, Stéphane	'02:03'	ASH	10
15	CIV	1D	Mondouho, Olivier			
16	BRA	1D	Shinohara, Marcelo	'05:00'		1
17	KAZ	1D	Abdullaev, Erjan			
18	FRA	1D	Armitano, Manuel	'05:00'	ASH	7
19	TPE	1D	Lin, Wen-Tao			
20	MAC	1D	Da Conceicao Ramos, Joao			
21	TKM	1D	Nourmoukhamedov, Gouva			
22	GER	1D	Hampel, Sebastian	'02:16'	SUT	10
23	GBR	1D	Murphy, Paul			
24	ITA	1D	Giorgi, Francesco	'05:00'	TE	7
25	MED	1D	Kempa, Elmer			

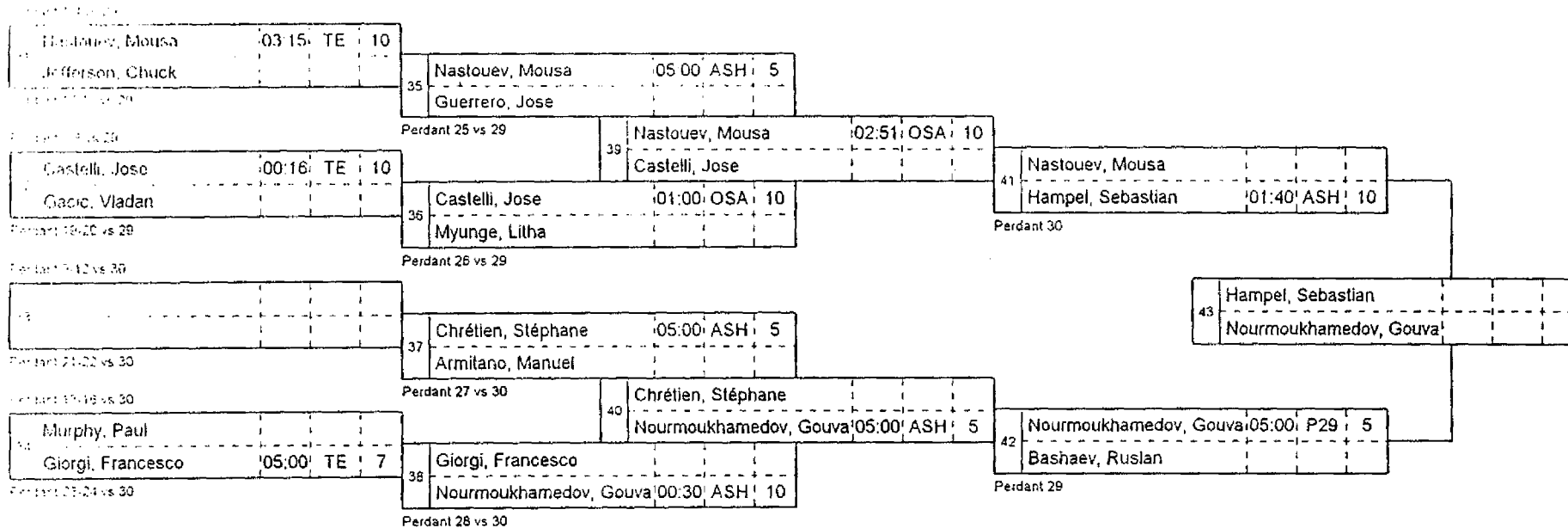


CLASSEMENT		
1	KOR	Hwang, In-Soo
2	JPN	Nakamura, Norimasa
3	GER	Hampel, Sebastian
3	TKM	Nourmoukhamedov, Gouvantch

## Championnat du monde Universitaire 1996 (Jonquière, QC - 1996/12/10)

### 65Kg Sénior Masculin

#### Repêchage



# Récapitulatif de la catégorie / Category Summary

## Championnat du monde Universitaire 1996 (Jonquière, QC - 1996/12/10)

### 65Kg

Classement Ranking	Nom, prénom Surname, First Name	Grade Rank	Pays Country	Vic./Win		Déf./Lost		Points/Scores					Pénalités/Penalties					Temps / Time	
				#	Pts	#	Pts	I	W	Y	K	Total	H	K	C	S	Total	Total	Moy./Av
Or	Hwang, In-Soo	1D	KOR	5	41	0	0	4	0	0	0	4	0	0	0	0	12:05	02:25	
Argent	Nakamura, Norimasa	1D	JPN	3	21	1	1	2	0	0	0	2	0	0	0	0	15:41	03:55	
Bronze	Hampel, Sebastian	1D	GER	4	37	1	10	2	1	0	0	3	1	0	0	0	18:43	03:44	
Bronze	Nourmoukhamedov, Gouvantch	1D	TKM	4	30	1	10	2	0	1	0	3	0	0	1	0	15:51	03:10	
5	Nastouev, Mousa	1D	RUS	3	25	2	20	2	0	1	0	3	0	0	0	0	14:08	02:49	
5	Bashaev, Rustan	1D	UKR	3	27	2	15	2	0	0	0	2	0	1	0	0	17:48	03:33	
7	Chrétien, Stéphane	2D	CAN	2	15	2	15	1	0	1	0	2	0	0	0	0	12:48	03:12	
7	Castelli, Jose	1D	VEN	2	20	2	20	2	0	0	0	2	0	0	0	0	05:55	01:28	
9	Amitano, Manuel	1D	FRA	2	17	2	6	0	1	0	0	1	1	0	0	0	19:43	04:55	
9	Giorgi, Francesco	1D	ITA	2	14	2	17	0	2	0	0	2	0	0	0	0	15:30	03:52	
9	Guerrero, Jose	1D	MEX	1	10	2	12	1	0	0	0	1	0	0	0	0	14:42	04:54	
9	Myunge, Litha	1D	RSA	2	20	2	20	2	0	0	0	2	0	0	0	0	06:27	01:36	
13	Murphy, Paul	1D	GBR	0	0	2	17	0	0	0	0	0	0	0	0	0	07:16	03:36	
13	Jefferson, Chuck	1D	USA	0	0	2	20	0	0	0	0	0	0	0	0	0	06:17	03:06	
13	Gacic, Vladan	1D	YUG	0	0	2	20	0	0	0	0	0	0	0	0	0	01:53	00:56	
17	Shinohara, Marcelo	1D	BRA	1	1	1	10	0	0	0	0	0	0	0	0	0	09:43	04:5	
17	Mondouho, Olivier	1D	CIV	0	0	1	10	0	0	0	0	0	0	0	0	0	02:03	02:0	
17	Miranda Jr, Luis	1D	CRC	0	0	1	5	0	0	0	0	0	0	0	0	0	05:00	05:0	
17	Marcos, Carlos	1D	ESP	0	0	1	10	0	0	0	0	0	0	0	0	0	04:42	04:4	
17	Abdullaev, Erjan	1D	KAZ	0	0	1	1	0	0	0	0	0	0	0	0	0	05:00	05:0	
17	Da Conceicao Ramos, Joao	1D	MAC	0	0	1	10	0	0	0	0	0	0	0	0	0	00:30	00:3	
17	Coulibaly, Mamadou	1D	MAL	1	5	1	10	0	0	1	0	1	0	0	0	0	09:43	04:5	
17	Frolla, Pierre	1D	MON	0	0	1	10	0	0	0	0	0	0	0	0	0	00:28	00:2	
17	Kempa, Elmer	1D	NED	0	0	1	7	0	0	0	0	0	0	0	0	0	05:00	05:0	
17	Lin, Wen-Tao	1D	TPE	0	0	1	7	0	0	0	0	0	0	0	0	0	05:00	05:0	

Nombre de participant: 27

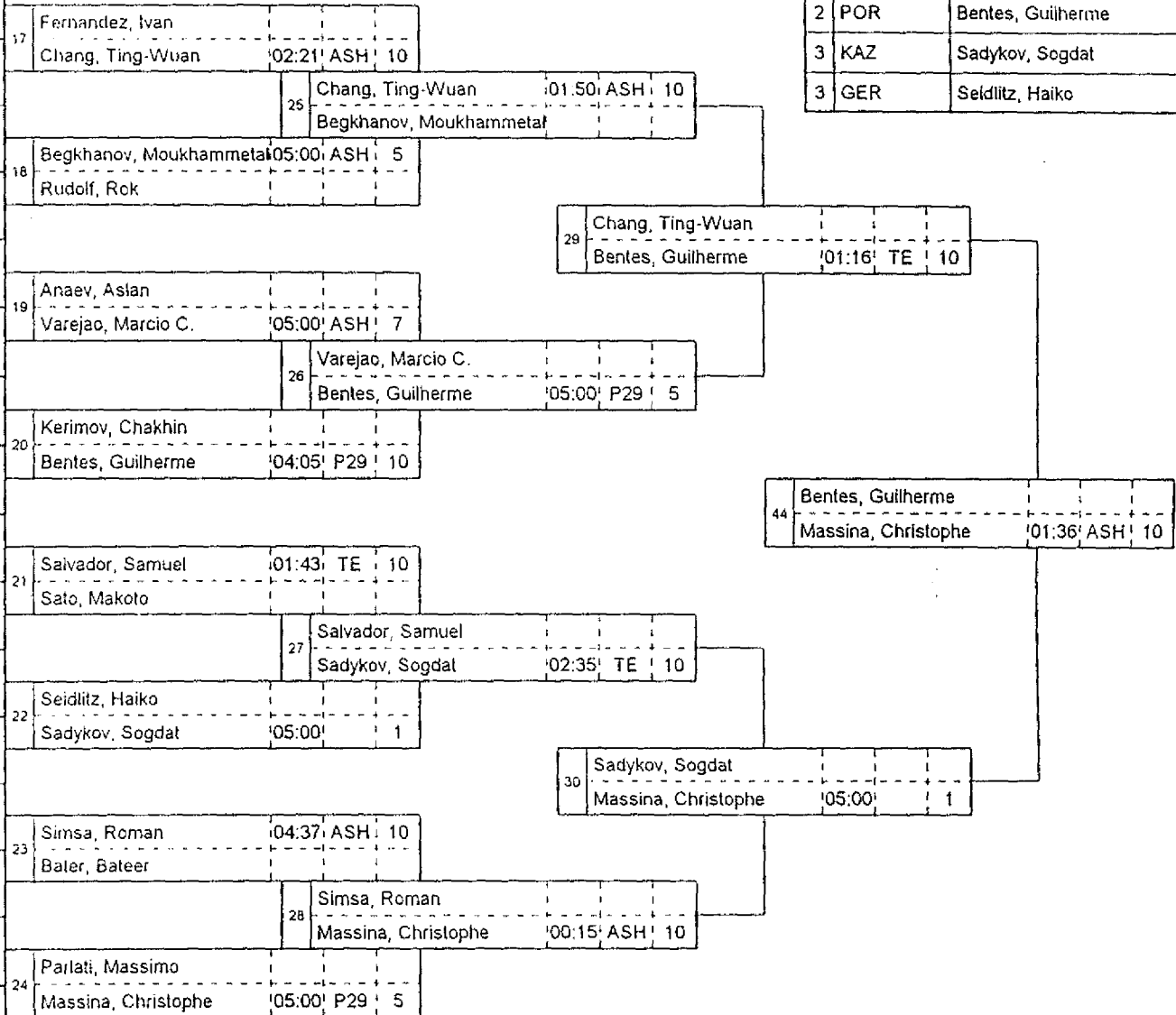
115:58 03:1

## Championnat du monde Universitaire 1996 (Jonquière, QC - 1996/12/10)

### 71Kg Sénior Masculin

#### Eliminatoire

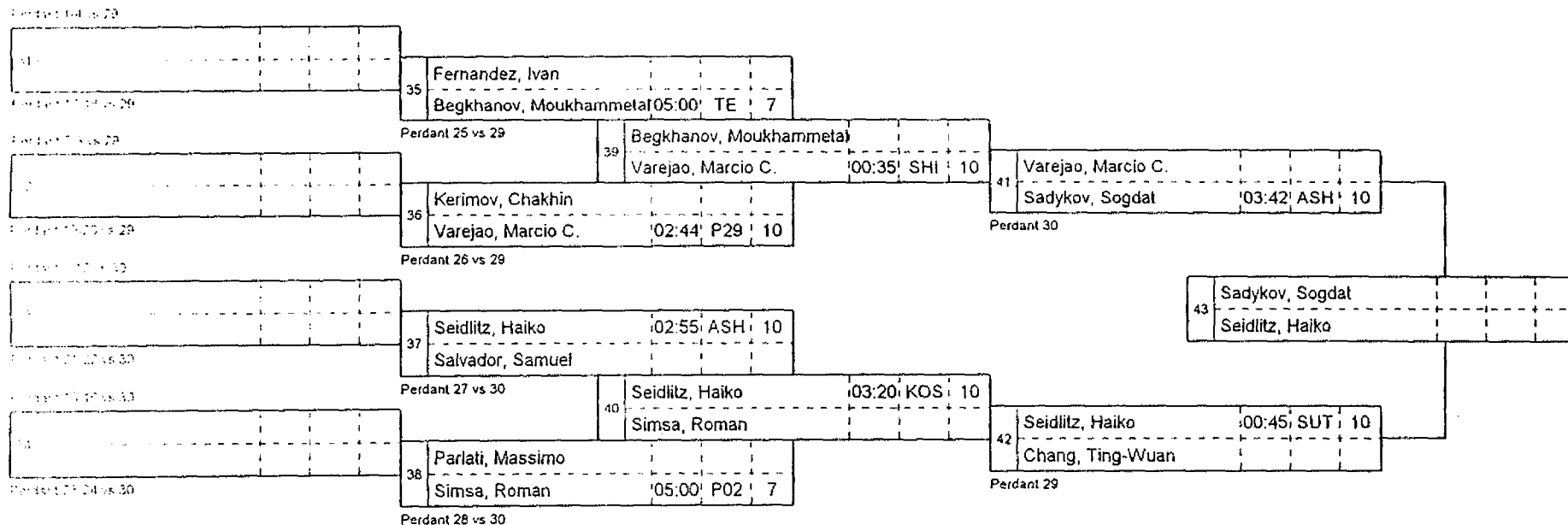
#	Pays	Grade	Nom - Name	Durée	Tech.	Rés.
1	ESP	1D	Fernandez, Ivan			
2	TPE	1D	Chang, Ting-Wuan			
3	RSA	1D	Joubert, Jannie			
4	TPE	1D	Begkhanov, Moukhammetak	00:29	SUT	10
5	SLO	1D	Rudolf, Rok			
6	RUS	1D	Anaev, Aslan			
7	HAI	1D	Rubens, Joseph			
8	BRA	1D	Varejao, Marcio C.	04:12	P29	10
9	AZE	1D	Kerimov, Chakhin	00:26	SUT	10
10	KOR	1D	Oh, Chang-Kil			
11	POR	1D	Bentes, Guilherme			
12	ESP	1D	Salvador, Samuel			
13	JPN	1D	Sato, Makoto	02:33	ASH	10
14	CAN	2D	Marceau, Jean-François			
15	USA	1D	Moghadas, Ali			
16	GER	1D	Seidlitz, Haiko	05:00	P12	7
17	KAZ	1D	Sadykov, Sogdat			
18	CZE	1D	Simsa, Roman			
19	CHN	1D	Baler, Bateer	04:55	P12	10
20	POL	1D	Tredovski, Robert			
21	ITA	1D	Parlati, Massimo	03:21	TE	10
22	NED	1D	Van Nol, Koen			
23	FRA	1D	Massina, Christophe			



CLASSEMENT		
1	FRA	Massina, Christophe
2	POR	Bentes, Guilherme
3	KAZ	Sadykov, Sogdat
3	GER	Seidlitz, Haiko

## Championnat du monde Universitaire 1996 (Jonquières, QC - 1996/12/10) 71Kg Sénior Masculin

### Repêchage





# Récapitulatif de la catégorie / Category Summary

## Championnat du monde Universitaire 1996 (Jonquière, QC - 1996/12/10)

71Kg

Classement Ranking	Nom, prénom Surname, First Name	Grade Rank	Pays Country	Vic./Win		Déf./Lost		Points/Scores				Pénalités/Penalties					Temps / Tir		
				#	Pts	#	Pts	I	W	Y	K	Total	H	K	C	S	Total	Total	Moy./Ave
Or	Massina, Christophe	1D	FRA	4	26	0	0	2	0	0	0	2	0	0	1	0	1	11:51	02:57
Argent	Bentes, Guilherme	1D	POR	3	25	1	10	1	0	0	0	1	1	0	1	0	2	11:57	02:59
Bronze	Seidlitz, Haiko	1D	GER	4	37	1	1	3	0	0	0	3	0	1	0	0	1	17:00	03:24
Bronze	Sadykov, Sogdat	1D	KAZ	3	21	1	1	2	0	0	0	2	0	0	0	0	0	16:17	04:04
5	Varejao, Marcio C.	1D	BRA	4	37	2	15	1	1	0	0	2	2	0	0	0	2	21:13	03:32
5	Chang, Ting-Wuan	1D	TPE	2	20	2	20	2	0	0	0	2	0	0	0	0	0	06:12	01:33
7	Simsa, Roman	1D	CZE	2	17	2	20	1	0	0	0	1	0	1	0	0	1	13:12	03:16
7	Begkhanov, Moukhammetaly	1D	TKM	3	22	2	20	1	1	1	0	3	0	0	0	0	0	12:54	02:34
9	Kerimov, Chakhin	1D	AZE	1	10	2	20	1	0	0	0	1	0	0	0	0	0	07:15	02:29
9	Salvador, Samuel	1D	ESP	1	10	2	20	1	0	0	0	1	0	0	0	0	0	07:13	02:29
9	Pariati, Massimo	1D	ITA	1	10	2	12	1	0	0	0	1	0	0	0	0	0	13:21	04:27
9	Fernandez, Ivan	1D	MEX	0	0	2	17	0	0	0	0	0	0	0	0	0	0	07:21	03:40
17	Marceau, Jean-François	2D	CAN	0	0	1	10	0	0	0	0	0	0	0	0	0	0	02:33	02:33
17	Bater, Bateer	1D	CHN	1	10	1	10	0	0	0	0	0	1	0	0	0	1	09:32	04:44
17	Rubens, Joseph	1D	HAI	0	0	1	10	0	0	0	0	0	0	0	0	0	0	04:12	04:12
17	Sato, Makoto	1D	JPN	1	10	1	10	1	0	0	0	1	0	0	0	0	0	04:16	02:00
17	Oh, Chang-Kil	1D	KOR	0	0	1	10	0	0	0	0	0	0	0	0	0	0	00:26	00:26
17	Van Nol, Koen	1D	NED	0	0	1	10	0	0	0	0	0	0	0	0	0	0	03:21	03:21
17	Tredowski, Robert	1D	POL	0	0	1	10	0	0	0	0	0	0	0	0	0	0	04:55	04:55
17	Joubert, Jannie	1D	RSA	0	0	1	10	0	0	0	0	0	0	0	0	0	0	00:29	00:29
17	Anaev, Aslan	1D	RUS	0	0	1	7	0	0	0	0	0	0	0	0	0	0	05:00	05:00
17	Rudolf, Rok	1D	SLO	0	0	1	5	0	0	0	0	0	0	0	0	0	0	05:00	05:00
17	Moghadas, Ali	1D	USA	0	0	1	7	0	0	0	0	0	0	0	0	0	0	05:00	05:00

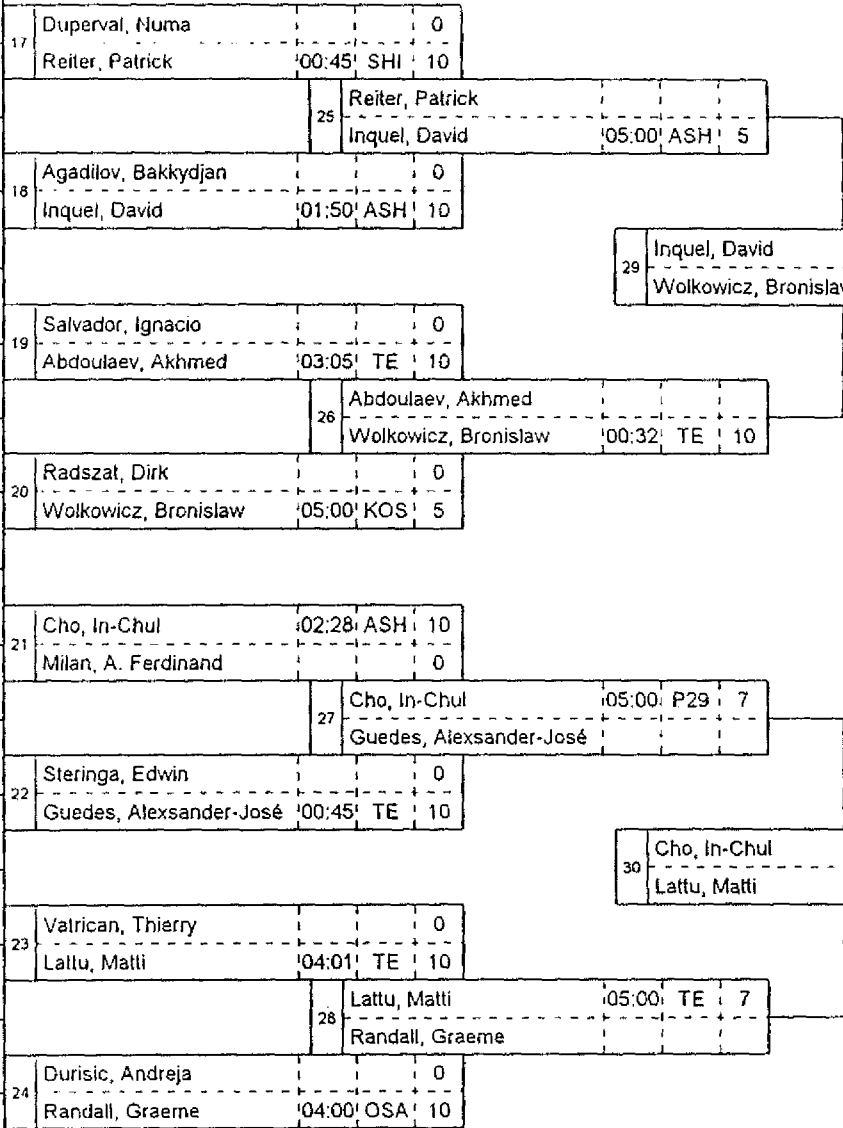
Nombre de participant: 23

95:15 03:11

## Championnat du monde Universitaire 1996 (Jonction, QC - 1996/12/10) 78Kg Sénior Masculin

### Eliminatoire

#	Pays	Grade	Nom - Name	Durée	Tech	Rés.
11	FRA	1D	Duperval, Numa			0
12	SRB	1D	Sorsak, Sandi			0
13	AUT	1D	Reiter, Patrick	'01:55'	SUT	10
14	KAZ	1D	Agadilov, Bakkydjan	'01:28'	TE	10
15	ITA	1D	Romano, Dario			0
16	FRA	1D	Inquel, David			0
17	ESP	1D	Salvador, Ignacio			0
18	CAN	2D	Morgan, Colin William			0
19	RUS	1D	Abdoulaev, Akhmed	'05:00'	TE	7
20	GER	1D	Radszat, Dirk	'03:07'	TE	10
21	SVK	1D	Novotny, Boris			0
22	POL	1D	Wolkowicz, Bronislaw			0
23	KOR	1D	Cho, In-Chul			0
24	CRC	1D	Valverde, Danny			0
25	CIV	1D	Milan, A. Ferdinand	'02:27'	SUT	10
26	NED	1D	Steringa, Edwin	'03:40'	P21	10
27	HUN	1D	Hanzel, Henrik			0
28	BRA	1D	Guedes, Aleksander-José			0
29	MON	1D	Vatrican, Thierry			0
30	FIN	1D	Lattu, Matti	'05:00'	TE	5
31	JPN	1D	Oyama, Toshiyuki			0
32	GRE	1D	Liaskos, Athanasios			0
33	YUG	1D	Duriscic, Andreja	'02:29'	OSA	10
34	GBR	1D	Randall, Graeme			0

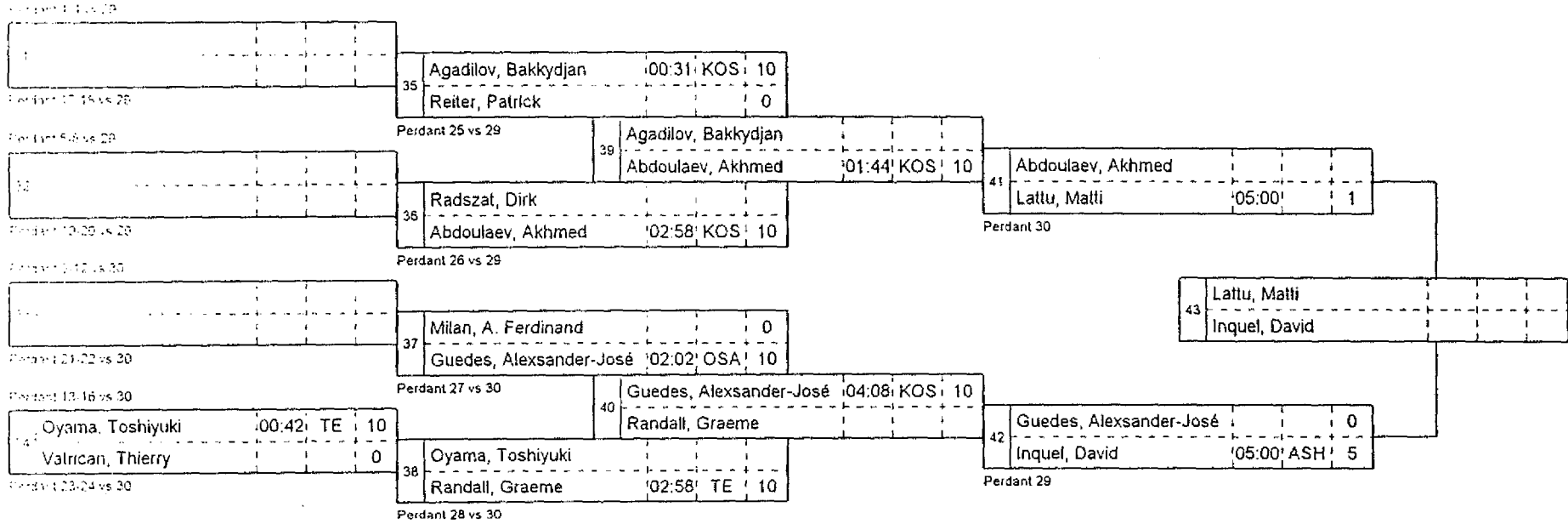


CLASSEMENT		
1	KOR	Cho, In-Chul
2	POL	Wolkowicz, Bronislaw
3	FIN	Lattu, Matti
3	FRA	Inquel, David

## Championnat du monde Universitaire 1996 (Jonquière, QC - 1996/12/10)

### 78Kg Sénior Masculin

#### Repêchage



## Récapitulatif de la catégorie / Category Summary

### Championnat du monde Universitaire 1996 (Jonquière, QC - 1996/12/10)

78Kg

Classement Ranking	Nom, prénom Surname, First Name	Grade Rank	Pays Country	Vic./Win		Déf./Lost		Points/Scores					Pénalités/Penalties					Temps / Time	
				#	Pts	#	Pts	I	W	Y	K	Total	H	K	C	S	Total	Total	Moy./Av
Or	Cho, In-Chul	1D	KOR	4	37	0	0	3	0	0	0	3	0	1	0	0	1	11:00	02:45
Argent	Wolkowicz, Bronislaw	1D	POL	3	22	1	10	1	1	1	0	3	0	0	0	0	0	12:55	03:13
Bronze	Lattu, Matti	1D	FIN	4	23	1	10	1	1	1	0	3	0	0	0	0	0	20:10	04:02
Bronze	Inquel, David	1D	FRA	3	20	1	7	1	0	2	0	3	0	0	0	0	0	16:50	04:12
5	Guedes, Alexsander-José	1D	BRA	3	30	2	12	3	0	0	0	3	0	0	0	0	0	16:55	03:23
5	Abdoulaev, Akhmed	1D	RUS	4	37	2	11	3	1	0	0	4	0	0	0	0	0	18:19	03:03
7	Randall, Graeme	1D	GBR	2	20	2	17	2	0	0	0	2	0	0	0	0	0	16:06	04:07
7	Agadilov, Bakkydjan	1D	KAZ	2	20	2	20	2	0	0	0	2	0	0	0	0	0	05:33	01:27
9	Reiter, Patrick	1D	AUT	2	20	2	15	2	0	0	0	2	0	0	0	0	0	08:11	02:07
9	Milan, A. Ferdinand	1D	CIV	1	10	2	20	1	0	0	0	1	0	0	0	0	0	06:57	02:11
9	Radszat, Dirk	1D	GER	1	10	2	15	1	0	0	0	1	0	0	0	0	0	11:05	03:4
9	Oyama, Toshiyuki	1D	JPN	1	10	2	15	1	0	0	0	1	0	0	0	0	0	08:40	02:5
13	Vatrican, Thierry	1D	MON	0	0	2	20	0	0	0	0	0	0	0	0	0	0	04:43	02:2
17	Morgan, Colin William	2D	CAN	0	0	1	7	0	0	0	0	0	0	0	0	0	0	05:00	05:0
17	Valverde, Danny	1D	CRC	0	0	1	10	0	0	0	0	0	0	0	0	0	0	02:27	02:2
17	Salvador, Ignacio	1D	ESP	0	0	1	10	0	0	0	0	0	0	0	0	0	0	03:05	03:0
17	Liaskos, Athanasios	1D	GRE	0	0	1	10	0	0	0	0	0	0	0	0	0	0	02:29	02:2
17	Duperval, Numa	1D	HAI	0	0	1	10	0	0	0	0	0	0	0	0	0	0	00:45	00:4
17	Hanzel, Henrik	1D	HUN	0	0	1	10	0	0	0	0	0	0	0	0	0	0	03:40	03:4
17	Romano, Dario	1D	ITA	0	0	1	10	0	0	0	0	0	0	0	0	0	0	01:28	01:2
17	Steringa, Edwin	1D	NED	1	10	1	10	0	0	0	0	0	1	0	0	0	1	04:25	02:7
17	Sorsak, Sandi	1D	SLO	0	0	1	10	0	0	0	0	0	0	0	0	0	0	01:55	01:5
17	Novotny, Boris	1D	SVK	0	0	1	10	0	0	0	0	0	0	0	0	0	0	03:07	03:0
17	Durisic, Andreja	1D	YUG	1	10	1	10	1	0	0	0	1	0	0	0	0	0	06:29	03:0

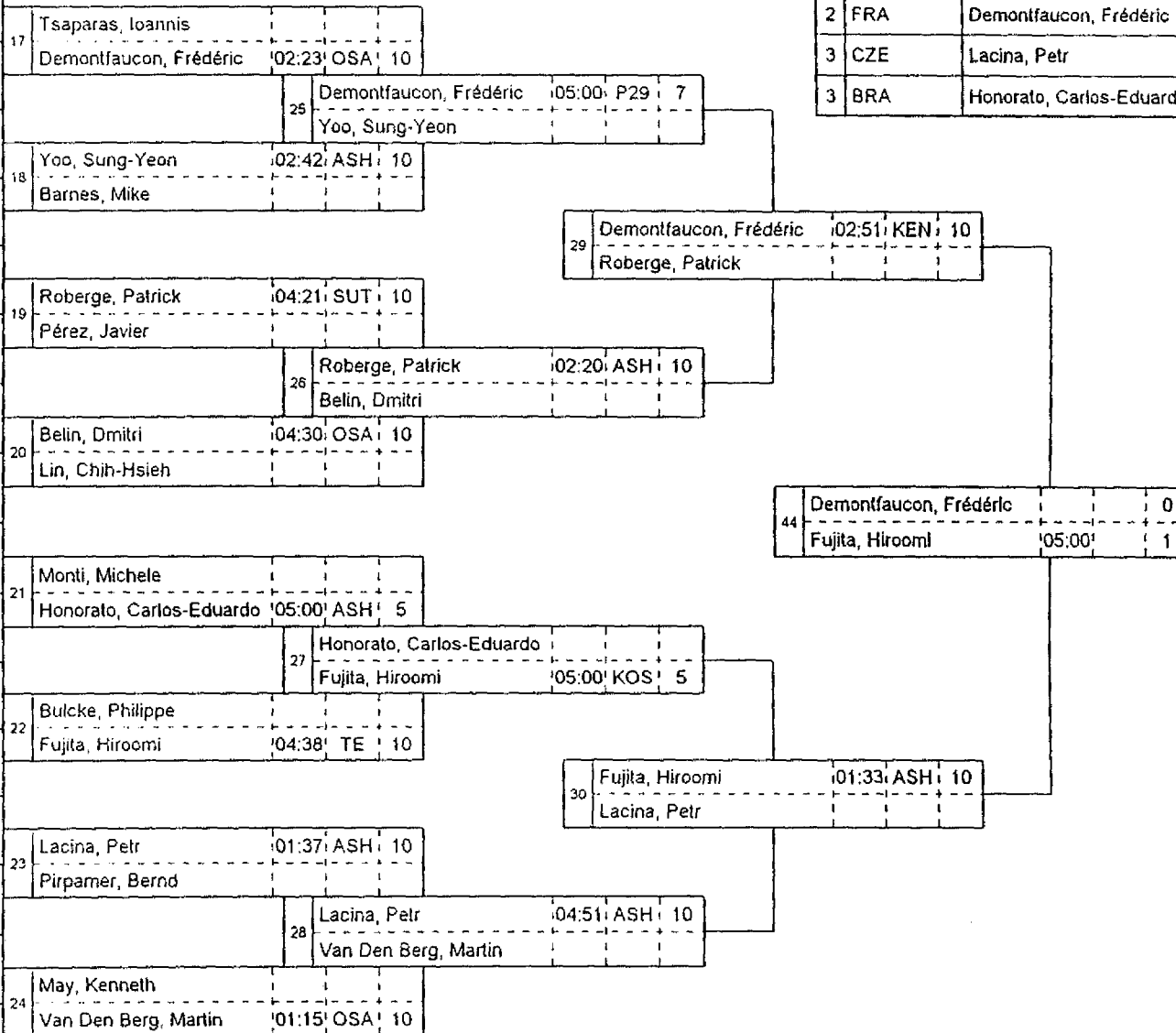
Nombre de participant: 24

96:07 03:0

## Championnat du monde Universitaire 1996 (Jonquière, QC - 1996/12/10) 86Kg Sénior Masculin

### Éliminatoire

#	Pays	Grade	Nom - Name	Durée	Tech.	Rés.
1	GRE	1D	Tsaparas, Ioannis			0
2	FRA	1D	Demontfaucon, Frédéric			0
3	KOR	1D	Yoo, Sung-Yeon	03:16	KOS	10
4	HAI	1D	Somoza, Célestin			0
5	USA	1D	Barnes, Mike			0
6	CAN	3D	Roberge, Patrick			0
7	ESP	1D	Pérez, Javier	03:22	TE	10
8	MEX	1D	Diaz, Xavier			0
9	KAZ	1D	Zainullaev, Mussa			0
10	RUS	1D	Belin, Dmitri	05:00		1
11	TPE	1D	Lin, Chih-Hsieh			0
12	ITA	1D	Monti, Michele			0
13	BRA	1D	Honorato, Carlos-Eduardo	02:09	TE	10
14	YUG	1D	Dragic, Milan			0
15	BEL	1D	Bulcke, Philippe	01:51	SUT	10
16	CIV	1D	Ballo, Mamadou			0
17	JPN	1D	Fujita, Hiroomi			0
18	CZE	1D	Lacina, Petr			0
19	GER	1D	Pirpamer, Bernd			0
20	GBR	1D	May, Kenneth	05:00	TE	5
21	POL	1D	Smoliniec, Pawel			0
22	NED	1D	Van Den Berg, Martin			0

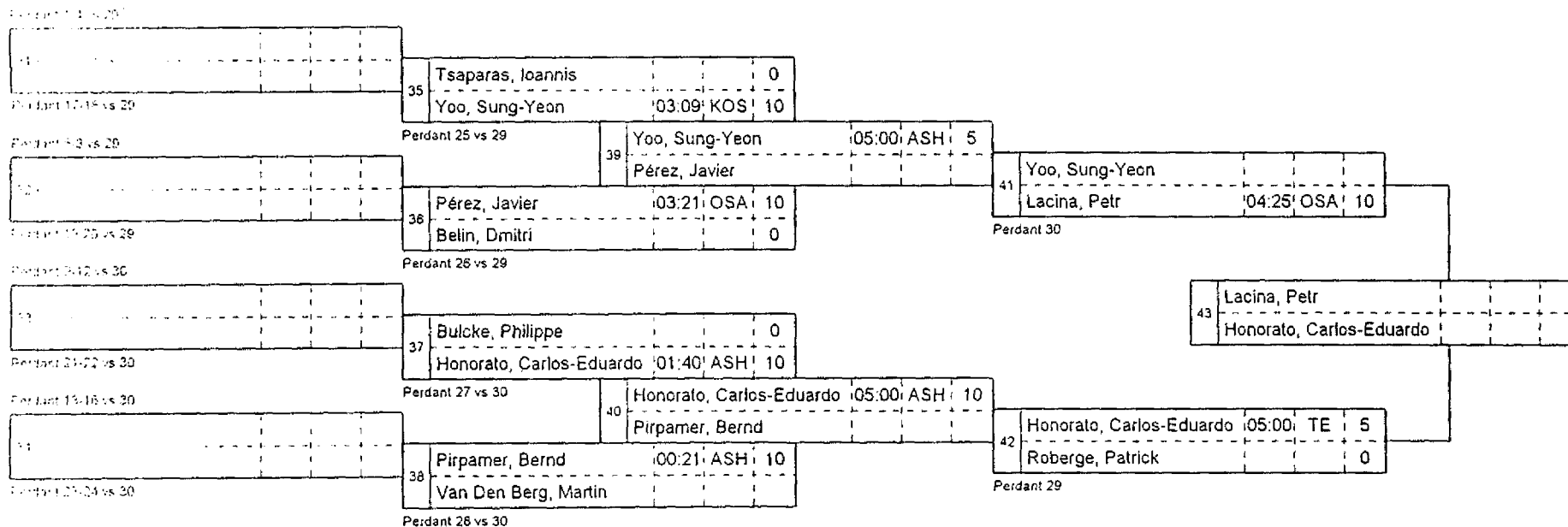


CLASSEMENT		
1	JPN	Fujita, Hiroomi
2	FRA	Demontfaucon, Frédéric
3	CZE	Lacina, Petr
3	BRA	Honorato, Carlos-Eduardo

## Championnat du monde Universitaire 1996 (Jonquière, QC - 1996/12/10)

### 86Kg Sénior Masculin

#### Repêchage



**Récapitulatif de la catégorie / Category Summary**  
**Championnat du monde Universitaire 1996 (Jonquière, QC - 1996/12/10)**  
**86Kg**

Classement Ranking	Nom, prénom Surname, First Name	Grade Rank	Pays Country	Vic./Win		Déf./Lost		Points/Scores				Pénalités/Penalties				Temps / Time			
				#	Pts	#	Pts	I	W	Y	K	Total	H	K	C	S	Total	Moy./Av	
Or	Fujita, Hiroomi	1D	JPN	4	26	0	0	2	0	1	0	3	0	0	0	0	0	16:11	04:02
Argent	Demontfaucon, Frédéric	1D	FRA	3	27	1	1	2	0	0	0	2	0	1	0	0	1	15:14	03:48
Bronze	Honorato, Carlos-Eduardo	1D	BRA	5	40	1	5	3	0	2	0	5	0	0	0	0	0	23:49	03:58
Bronze	Lacina, Petr	1D	CZE	3	30	1	10	3	0	0	0	3	0	0	0	0	0	12:26	03:06
5	Roberge, Patrick	3D	CAN	2	20	2	15	2	0	0	0	2	0	0	0	0	0	14:32	03:38
5	Yoo, Sung-Yeon	1D	KOR	4	35	2	17	3	0	1	0	4	0	0	0	0	0	23:32	03:55
7	Pérez, Javier	1D	ESP	2	20	2	15	2	0	0	0	2	0	0	0	0	0	16:04	04:01
7	Pirpamer, Bernd	1D	GER	1	10	2	20	1	0	0	0	1	0	0	0	0	0	06:58	02:19
9	Bulcke, Philippe	1D	BEL	1	10	2	20	1	0	0	0	1	0	0	0	0	0	08:09	02:43
9	Tsaparas, Ioannis	1D	GRE	0	0	2	20	0	0	0	0	0	0	0	0	0	0	05:32	02:46
9	Van Den Berg, Martin	1D	NED	1	10	2	20	1	0	0	0	1	0	0	0	0	0	06:27	02:09
9	Belin, Dmitri	1D	RUS	2	11	2	20	1	0	0	0	1	0	0	0	0	0	15:11	03:47
17	Ballo, Mamadou	1D	CIV	0	0	1	10	0	0	0	0	0	0	0	0	0	0	01:51	01:51
17	May, Kenneth	1D	GBR	1	5	1	10	0	0	1	0	1	0	0	0	0	0	06:15	03:07
17	Somoza, Célestin	1D	HAI	0	0	1	10	0	0	0	0	0	0	0	0	0	0	03:16	03:16
17	Monti, Michele	1D	ITA	0	0	1	5	0	0	0	0	0	0	0	0	0	0	05:00	05:00
17	Zainullaev, Mussa	1D	KAZ	0	0	1	1	0	0	0	0	0	0	0	0	0	0	05:00	05:00
17	Diaz, Xavier	1D	MEX	0	0	1	10	0	0	0	0	0	0	0	0	0	0	03:22	03:22
17	Smoliniec, Pawel	1D	POL	0	0	1	5	0	0	0	0	0	0	0	0	0	0	05:00	05:00
17	Lin, Chih-Hsieh	1D	TPE	0	0	1	10	0	0	0	0	0	0	0	0	0	0	04:30	04:30
17	Barnes, Mike	1D	USA	0	0	1	10	0	0	0	0	0	0	0	0	0	0	02:42	02:42
17	Dragic, Milan	1D	YUG	0	0	1	10	0	0	0	0	0	0	0	0	0	0	02:09	02:09

Nombre de participant: 22

101:35 03:3

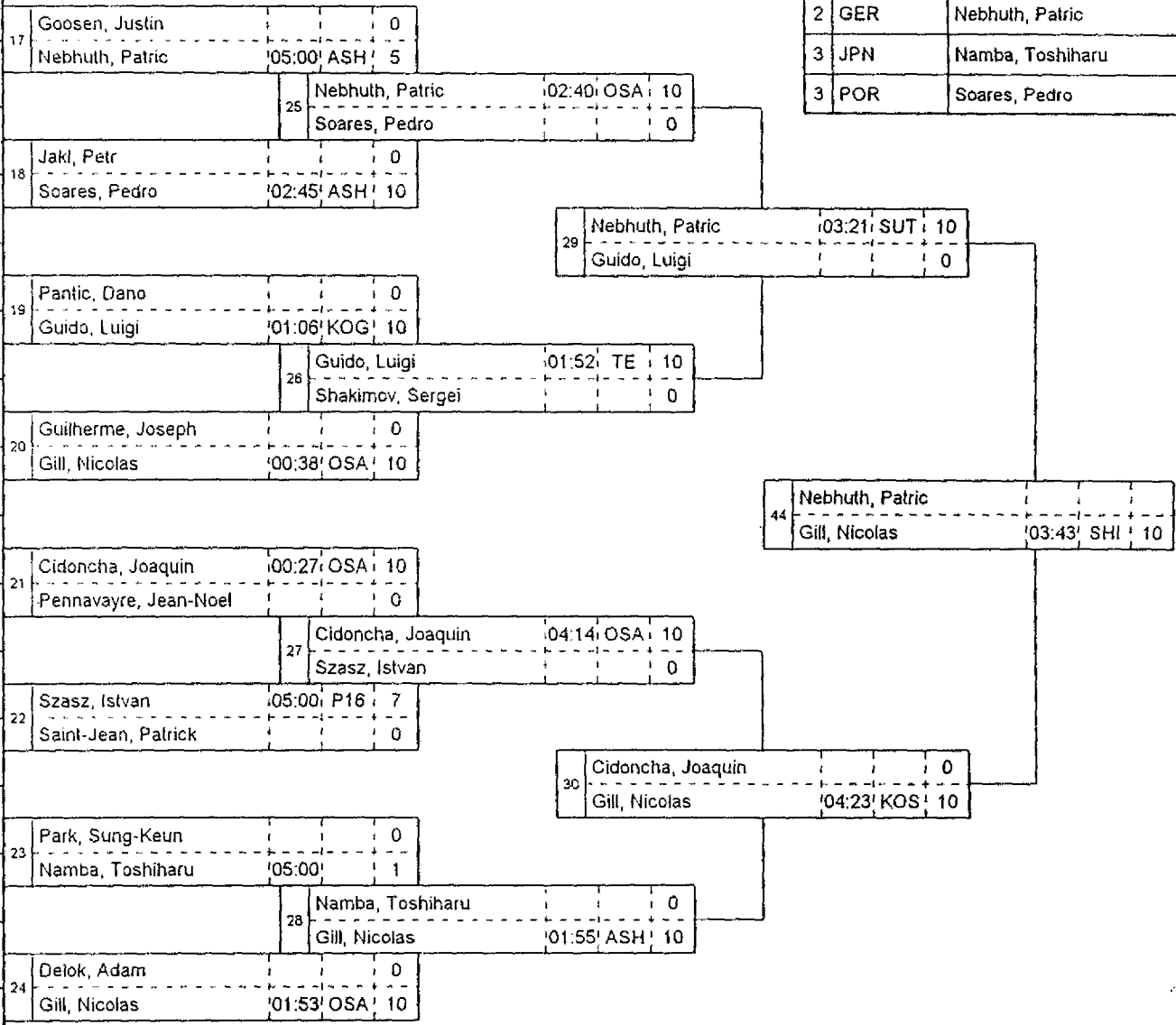
## Championnat du monde Universitaire 1996 (Jonquière, QC - 1996/12/10)

### 95Kg Sénior Masculin

#### Eliminatoire

#### CLASSEMENT

#	Pays	Grnde	Nom - Name	Durée	Tech.	Rés.
1	RSA	1D	Goosen, Justin			
2	GER	1D	Nebhuth, Patric			
3	CZE	1D	Jakl, Petr	04:49	KOS	10
4	FRA	1D	Haury, Jérôme			0
5	POR	1D	Soares, Pedro			
6	YUG	1D	Pantic, Dano			
7	ITA	1D	Guido, Luigi			
8	BRA	1D	Guilherme, Joseph	02:30	TE	10
9	TPE	1D	Chen, Chun-Chieh			0
10	KAZ	1D	Shakimov, Sergei			
11	ESP	1D	Cidoncha, Joaquin			
12	CIV	1D	Pennavayre, Jean-Noel			
13	AUT	1D	Eder, Josef			0
14	HUN	1D	Szasz, Istvan	01:15	ASH	7
15	HAI	1D	Saint-Jean, Patrick			
16	KOR	1D	Park, Sung-Keun			
17	JPN	1D	Namba, Toshiharu			
18	RUS	1D	Delok, Adam	05:00	P30	7
19	NED	1D	Van De Weyde, Kick			0
20	CAN	2D	Gill, Nicolas			

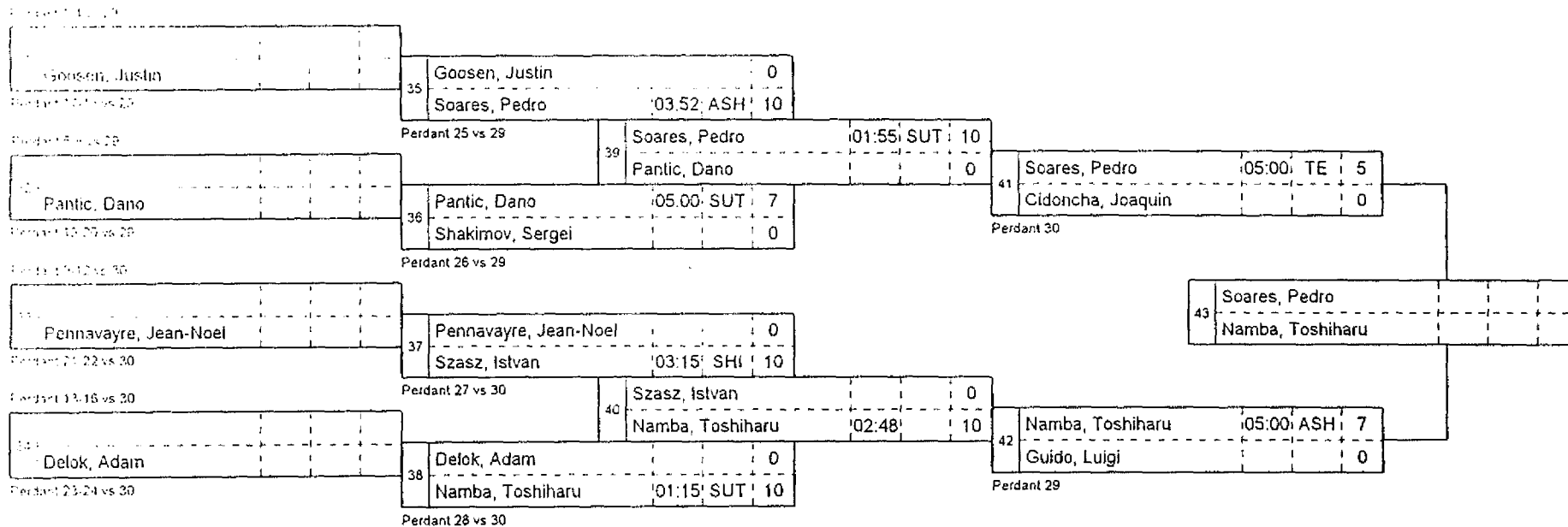


CLASSEMENT		
1	CAN	Gill, Nicolas
2	GER	Nebhuth, Patric
3	JPN	Namba, Toshiharu
3	POR	Soares, Pedro



## Championnat du monde Universitaire 1996 (Jonquière, QC - 1996/12/10) 95Kg Sénior Masculin

### Repêchage



## Récapitulatif de la catégorie / Category Summary

### Championnat du monde Universitaire 1996 (Jonquièrre, QC - 1996/12/10)

95Kg

Classement Ranking	Nom, prénom Surname, First Name	Grade Rank	Pays Country	Vic./Win		Déf./Lost		Points/Scores					Pénalités/Penalties					Temps / Time				
				#	Pts	#	Pts	I	W	Y	K	Total	H	K	C	S	Total	Total	Moy./Av			
Or	Gill, Nicolas	2D	CAN	5	50	0	0	5	0	0	0	5	0	0	0	0	0	0	0	0	12:32	02:30
Argent	Nebhuth, Patric	1D	GER	3	25	1	10	2	0	1	0	3	0	0	0	0	0	0	0	0	14:44	03:41
Bronze	Namba, Toshiharu	1D	JPN	4	28	1	10	2	1	0	0	3	0	0	0	0	0	0	0	0	15:58	03:11
Bronze	Soares, Pedro	1D	POR	4	35	1	10	3	0	1	0	4	0	0	0	0	0	0	0	0	16:12	03:14
5	Cidoncha, Joaquin	1D	ESP	2	20	2	15	2	0	0	0	2	0	0	0	0	0	0	0	0	14:04	03:31
5	Guido, Luigi	1D	ITA	2	20	2	17	2	0	0	0	2	0	0	0	0	0	0	0	0	11:19	02:49
7	Szasz, Istvan	1D	HUN	3	24	2	20	1	1	0	0	2	0	1	0	0	0	0	1	16:32	03:18	
7	Pantic, Dano	1D	YUG	1	7	2	20	0	1	0	0	1	0	0	0	0	0	0	0	0	08:01	02:40
9	Pennavayre, Jean-Noel	1D	CIV	0	0	2	20	0	0	0	0	0	0	0	0	0	0	0	0	0	03:42	01:51
9	Shakimov, Sergei	1D	KAZ	0	0	2	17	0	0	0	0	0	0	0	0	0	0	0	0	0	06:52	03:26
9	Goosen, Justin	1D	RSA	0	0	2	15	0	0	0	0	0	0	0	0	0	0	0	0	0	08:52	04:26
9	Delok, Adam	1D	RUS	1	7	2	20	0	0	0	0	0	0	1	0	0	0	1	08:08	02:42		
17	Eder, Josef	1D	AUT	0	0	1	7	0	0	0	0	0	0	0	0	0	0	0	0	0	01:15	01:15
17	Guilherme, Joseph	1D	BRA	1	10	1	10	1	0	0	0	1	0	0	0	0	0	0	0	0	03:08	01:34
17	Jakl, Petr	1D	CZE	1	10	1	10	1	0	0	0	1	0	0	0	0	0	0	0	0	07:34	03:47
17	Haury, Jérôme	1D	FRA	0	0	1	10	0	0	0	0	0	0	0	0	0	0	0	0	0	04:49	04:47
17	Saint-Jean, Patrick	1D	HAI	0	0	1	7	0	0	0	0	0	0	0	0	0	0	0	0	0	05:00	05:00
17	Park, Sung-Keun	1D	KOR	0	0	1	1	0	0	0	0	0	0	0	0	0	0	0	0	0	05:00	05:00
17	Van De Weyde, Kick	1D	NED	0	0	1	7	0	0	0	0	0	0	0	0	0	0	0	0	0	05:00	05:00
17	Chen, Chun-Chieh	1D	TPE	0	0	1	10	0	0	0	0	0	0	0	0	0	0	0	0	0	02:30	02:30

Nombre de participant: 20

85.36 03:11

## Championnat du monde Universitaire 1996 (Jonqui re, QC - 1996/12/10) +95Kg S nior Masculin

### Eliminatoire

#	Pays	Grade	Nom - Name	Dur�e	Tech.	R�s.
1	RSA	1D	Van Rensburg, Johann			
2	GER	1D	Heyer, Volker	'04:33'	P29	7
3	POL	1D	Bogacki, Andrzej			0
4	JPN	1D	Ueguchi, Kota	'02:18'	OSA	10
5	ESP	1D	Romero, Antonio			0
6	RUS	1D	Doudnik, Maxim			0
7	FRA	1D	Boumedjane, Karim	'04:40'	ASH	10
8	TPE	1D	Cho, Chin-Shen			0
9	CAN	1D	Kent, Alexander	'05:00'	P29	7
10	USA	1D	Kushnir, Eugene			0
11	KOR	1D	Kim, Young-Hoon	'00:25'	SUT	10
12	BRA	1D	Biondi, Rogerio			0
13	YUG	1D	Labus, Sinisa	'05:00'		1
14	ITA	1D	Galante, Nicola			0

9	Van Rensburg, Johann		0	
9	Heyer, Volker	'00:16'	KOS	10
13	Heyer, Volker		0	
13	Ueguchi, Kota	'01:28'	SUT	10
10	Ueguchi, Kota	'02:39'	OSA	10
10	Boumedjane, Karim		0	
24	Ueguchi, Kota	'01:15'	SUT	10
24	Labus, Sinisa		0	
11	Kent, Alexander		0	
11	Kim, Young-Hoon	'05:00'	ASH	5
14	Kim, Young-Hoon		0	
14	Labus, Sinisa	'04:01'	ASH	10
12	Biondi, Rogerio		0	
12	Labus, Sinisa	'00:52'	KEN	10

CLASSEMENT		
1	JPN	Ueguchi, Kota
2	YUG	Labus, Sinisa
3	GER	Heyer, Volker
3	KOR	Kim, Young-Hoon

### Rep chage

Perdant 1 ou 2	15	Bogacki, Andrzej	'00:24'	ASH	10
Perdant 9		Van Rensburg, Johann			0
Perdant 3 ou 4	15	Romero, Antonio			0
Perdant 10		Boumedjane, Karim	'01:00'	ASH	10
Perdant 5 ou 6	17	Kushnir, Eugene			0
Perdant 11		Kent, Alexander	'05:00'	ASH	5
Perdant 7 ou 8	18	Galante, Nicola	'04:36'	TE	10
Perdant 12		Biondi, Rogerio			0
	19	Bogacki, Andrzej			0
	19	Boumedjane, Karim	'04:33'	OSA	10
	21	Boumedjane, Karim			0
	21	Kim, Young-Hoon	'01:23'	OSA	10
	23	Kim, Young-Hoon			0
	23	Heyer, Volker			0
	20	Kent, Alexander			0
	20	Galante, Nicola	'05:00'	P29	7
	22	Galante, Nicola			0
	22	Heyer, Volker	'05:00'	ASH	5

**Récapitulatif de la catégorie / Category Summary**  
**Championnat du monde Universitaire 1996 (Jonquière, QC - 1996/12/10)**  
**+95Kg**

Classement Ranking	Nom, prénom Surname, First Name	Grade Rank	Pays Country	Vic./Win		Déf./Lost		Points/Scores				Pénalités/Penalties				Temps / Time		
				#	Pts	#	Pts	I	W	Y	K	Total	H	K	C	S	Total	Total
Or	Ueguchi, Kota	1D	JPN	4	40	0	0	4	0	0	0	4	0	0	0	0	07:40	01:55
Argent	Labus, Sinisa	1D	YUG	3	21	1	10	2	0	0	0	2	0	0	0	0	11:08	02:47
Bronze	Heyer, Volker	1D	GER	3	22	1	10	1	0	1	0	2	0	1	0	1	11:17	02:49
Bronze	Kim, Young-Hoon	1D	KOR	3	25	1	10	2	0	1	0	3	0	0	0	0	10:49	02:42
5	Boumedjane, Karim	1D	FRA	3	30	2	20	3	0	0	0	3	0	0	0	0	14:15	02:51
5	Galante, Nicola	1D	ITA	2	17	2	6	1	0	0	0	1	0	1	0	1	19:36	04:54
7	Kent, Alexander	1D	CAN	2	12	2	12	0	0	1	0	1	0	1	0	1	20:00	05:00
7	Bogacki, Andrzej	1D	POL	1	10	2	17	1	0	0	0	1	0	0	0	0	09:30	03:10
9	Biondi, Rogerio	1D	BRA	0	0	2	20	0	0	0	0	0	0	0	0	0	05:28	02:44
9	Romero, Antonio	1D	ESP	0	0	2	20	0	0	0	0	0	0	0	0	0	03:18	01:39
9	Van Rensburg, Johann	1D	RSA	0	0	2	20	0	0	0	0	0	0	0	0	0	00:40	00:20
9	Kushnir, Eugene	1D	USA	0	0	2	15	0	0	0	0	0	0	0	0	0	05:25	02:42
13	Doudnik, Maxim	1D	RUS	0	0	1	10	0	0	0	0	0	0	0	0	0	04:40	04:40
13	Cho, Chin-Shen	1D	TPE	0	0	1	7	0	0	0	0	0	0	0	0	0	05:00	05:00

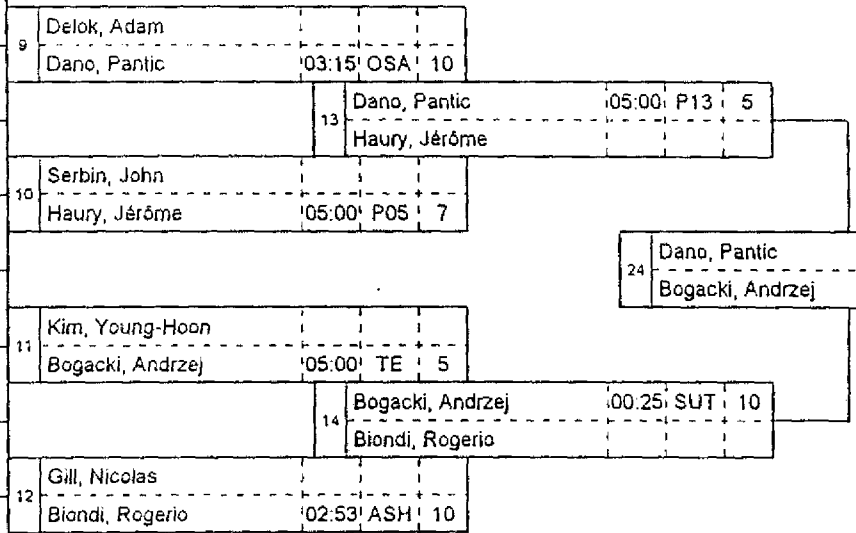
Nombre de participant: 14

64:23 03:03

**Championnat du monde Universitaire 1996 (Jonquière, QC - 1996/12/10)**  
**Ouvert Sénior Masculin**

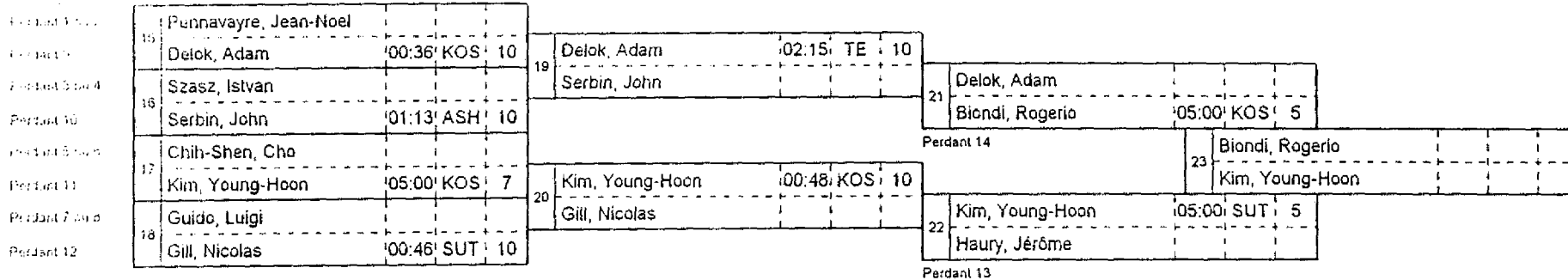
**Eliminatoire**

#	Pays	Grade	Nom - Name	Durée	Tech.	Rés.
1	RUS	1D	Delok, Adam			
2	CIV	1D	Pennavayre, Jean-Noel			
3	YUG	1D	Dano, Pantic	'02:25'	SHI	10
4	RSA	1D	Goosen, Justin			
5	USA	1D	Serbin, John	'05:00'	ASH	3
6	FRA	1D	Haury, Jérôme	'01:18'	ASH	10
7	HUN	1D	Szasz, Istvan			
8	KOR	1D	Kim, Young-Hoon	'01:54'	ASH	10
9	JPN	1D	Aoki, Tadamasu			
10	TPE	1D	Chih-Shen, Cho			
11	POL	1D	Bogacki, Andrzej	'01:05'	TE	10
12	CZE	1D	Jaki, Petr			
13	CAN	1D	Gill, Nicolas	'05:00'	ASH	5
14	BRA	1D	Biondi, Rogerio	'05:00'	P29	5
15	ITA	1D	Guido, Luigi			



CLASSEMENT		
1	YUG	Dano, Pantic
2	POL	Bogacki, Andrzej
3	BRA	Biondi, Rogerio
3	KOR	Kim, Young-Hoon

**Repêchage**



**Récapitulatif de la catégorie / Category Summary**  
**Championnat du monde Universitaire 1996 (Jonquière, QC - 1996/12/10)**  
**Ouvert M.**

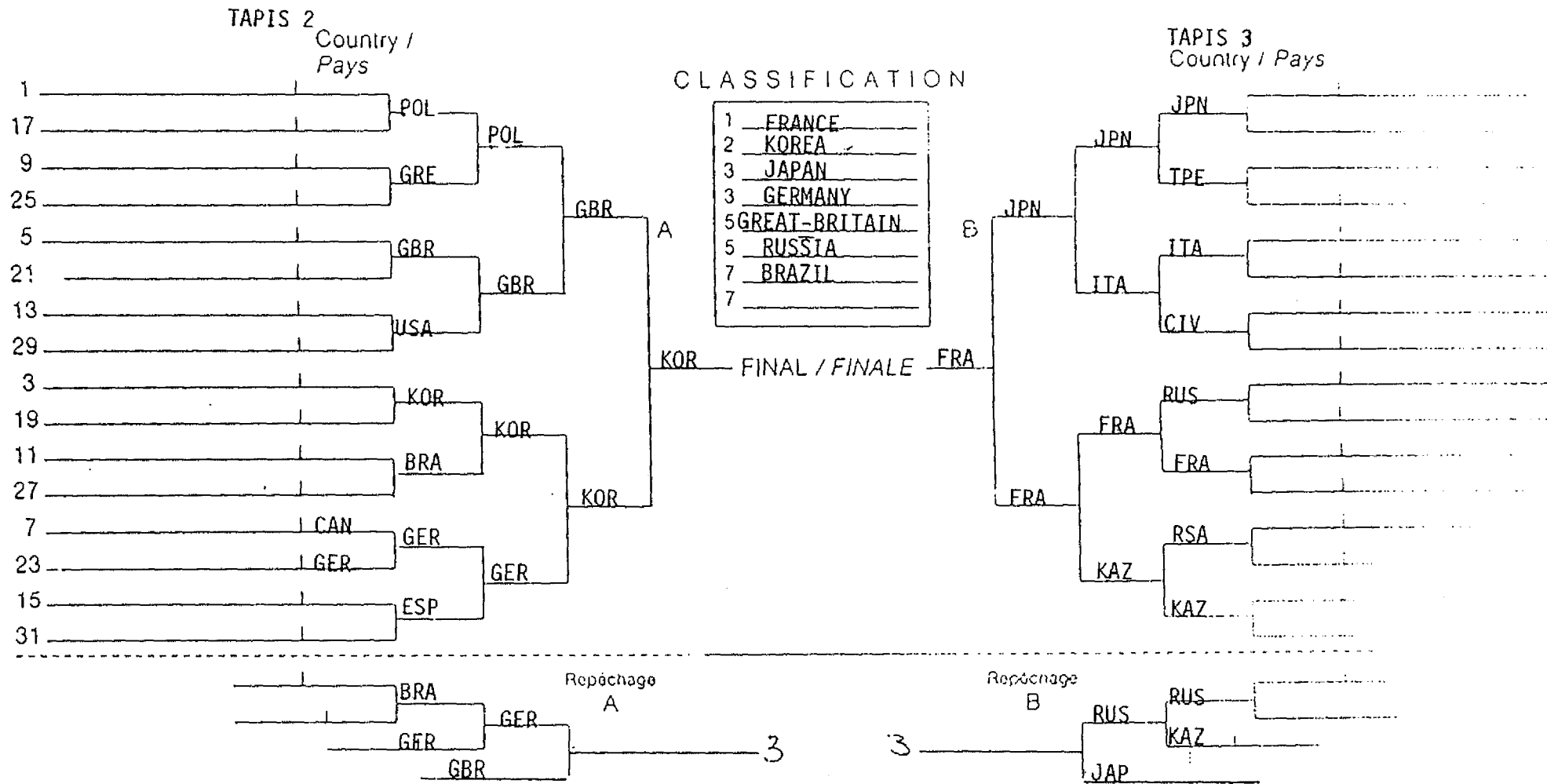
Classement Ranking	Nom, prénom Surname, First Name	Grade Rank	Pays Country	Vic./Win		Déf./Lost		Points/Scores					Pénalités/Penalties					Temps / Time	
				#	Pts	#	Pts	I	W	Y	K	Total	H	K	C	S	Total	Total	Moy./Aver.
Or	Dano, Pantic	1D	YUG	4	35	0	0	3	0	0	0	3	0	0	1	0	1	14:39	03:39
Argent	Bogacki, Andrzej	1D	POL	3	25	1	10	2	0	1	0	3	0	0	0	0	0	10:29	02:37
Bronze	Biondi, Rogerio	1D	BRA	3	20	1	10	1	0	1	0	2	0	0	1	0	1	13:18	03:19
Bronze	Kim, Young-Hoon	1D	KOR	4	32	1	5	2	1	1	0	4	0	0	0	0	0	17:42	03:32
5	Haury, Jérôme	1D	FRA	2	17	2	10	1	0	0	0	1	0	1	0	0	1	16:18	04:04
5	Delok, Adam	1D	RUS	2	20	2	15	2	0	0	0	2	0	0	0	0	0	11:06	02:46
7	Gill, Nicolas	1D	CAN	2	15	2	20	1	0	1	0	2	0	0	0	0	0	09:27	02:21
7	Serbin, John	1D	USA	2	13	2	17	1	0	0	1	2	0	0	0	0	0	13:28	03:22
	Pennavayre, Jean-Noel	1D	CIV	0	0	2	20	0	0	0	0	0	0	0	0	0	0	03:01	01:30
9	Szasz, Istvan	1D	HUN	0	0	2	20	0	0	0	0	0	0	0	0	0	0	02:31	01:15
9	Guido, Luigi	1D	ITA	0	0	2	15	0	0	0	0	0	0	0	0	0	0	05:46	02:53
9	Chih-Shen, Cho	1D	TPE	0	0	2	17	0	0	0	0	0	0	0	0	0	0	06:05	03:02
13	Jaki, Petr	1D	CZE	0	0	1	5	0	0	0	0	0	0	0	0	0	0	05:00	05:00
13	Aoki, Tadamasa	1D	JPN	0	0	1	10	0	0	0	0	0	0	0	0	0	0	01:54	01:54
13	Goosen, Justin	1D	RSA	0	0	1	3	0	0	0	0	0	0	0	0	0	0	05:00	05:00

Nombre de participant: 15

67:52 03:05



# TEAM \ ÉQUIPE MASCULINS, MEN



CAN) 10h  
GER) 10 a.m.

10.00) jpn  
10.00) tpe  
a.m.



**Feuille des médaillés/Winner's List**  
**Championnat du monde Universitaire 1996 (Jonquière, QC - 1996/12/10)**

Catégorie Category	Or / Gold	Argent / Silver	Bronze
48Kg	Bruneau Servane FRA	Damann Dörte GER	Oh, Soon-Young Karagianopoulou, Maria KOR GRE
52Kg	Pallancher Soizic FRA	Sato Shinko JPN	Von Schwichow, Alexa Schmutz, Isabelle GER SUI
56Kg	Fernandez Isabel ESP	Baton Magalie FRA	Mekzine, Lynda Liu, Yuxiang ALG CHN
61Kg	Vandenhende Séverine FRA	Roberge Sophie CAN	Tokarz, Irena Alvarez, Sara POL ESP
66Kg	Pierantozzi Emanuela ITA	Mroz Agata POL	Rambault, Karine Vriezema, Danielle FRA NED
72Kg	Scapin Ylenia ITA	Chen Chui-Ping TPE	Melen, Joanna Kienhuis, Karin GBR NED
+72Kg	Lebrun Céline FRA	Kołodziejczyk Marta POL	Lee, Hyun-Kyung Harteveld, Françoise KOR NED
Ouvert F.	Lee Hyun-Kyung KOR	Kiya Yoshie JPN	Rogers, Michelle Burgata, Donata GBR ITA
Equipe F.	FRA	KOR	JPN GER
69Kg	Sekiguchi Kozo JPN	Douma Yacine FRA	Yeh, Hsin-Hung Moon, Dae-Hyun TPE KOR
65Kg	Hwang In-Soo KOR	Nakamura Norimasa JPN	Hampel, Sebastian Nourmoukhamedov, Gouva GER TKM
71Kg	Massina Christophe FRA	Bentes Guilherme POR	Sadykov, Sogdat Seidlitz, Haiko KAZ GER
78Kg	Cho In-Chul KOR	Wolkowicz Bronislaw POL	Lattu, Matti Inquel, David FIN FRA
86Kg	Fujita Hiroomi JPN	Demontfaucon Frédéric FRA	Lacina, Petr Honorato, Carlos-Eduardo CZE BRA
95Kg	Gill Nicolas CAN	Nebhuth Patric GER	Namba, Toshiharu Soares, Pedro JPN POR
+95Kg	Ueguchi Kota JPN	Labus Sinisa YUG	Heyer, Volker Kim, Young-Hoon GER KOR
Ouvert M.	Dano Pantic YUG	Bogacki Andrzej POL	Biondi, Rogerio Kim, Young-Hoon BRA KOR
Equipe M.	FRA	KOR	GER JPN





## Classement/Ranking

### Championnat du monde Universitaire 1996 (Jonquière, QC - 1996/12/10)

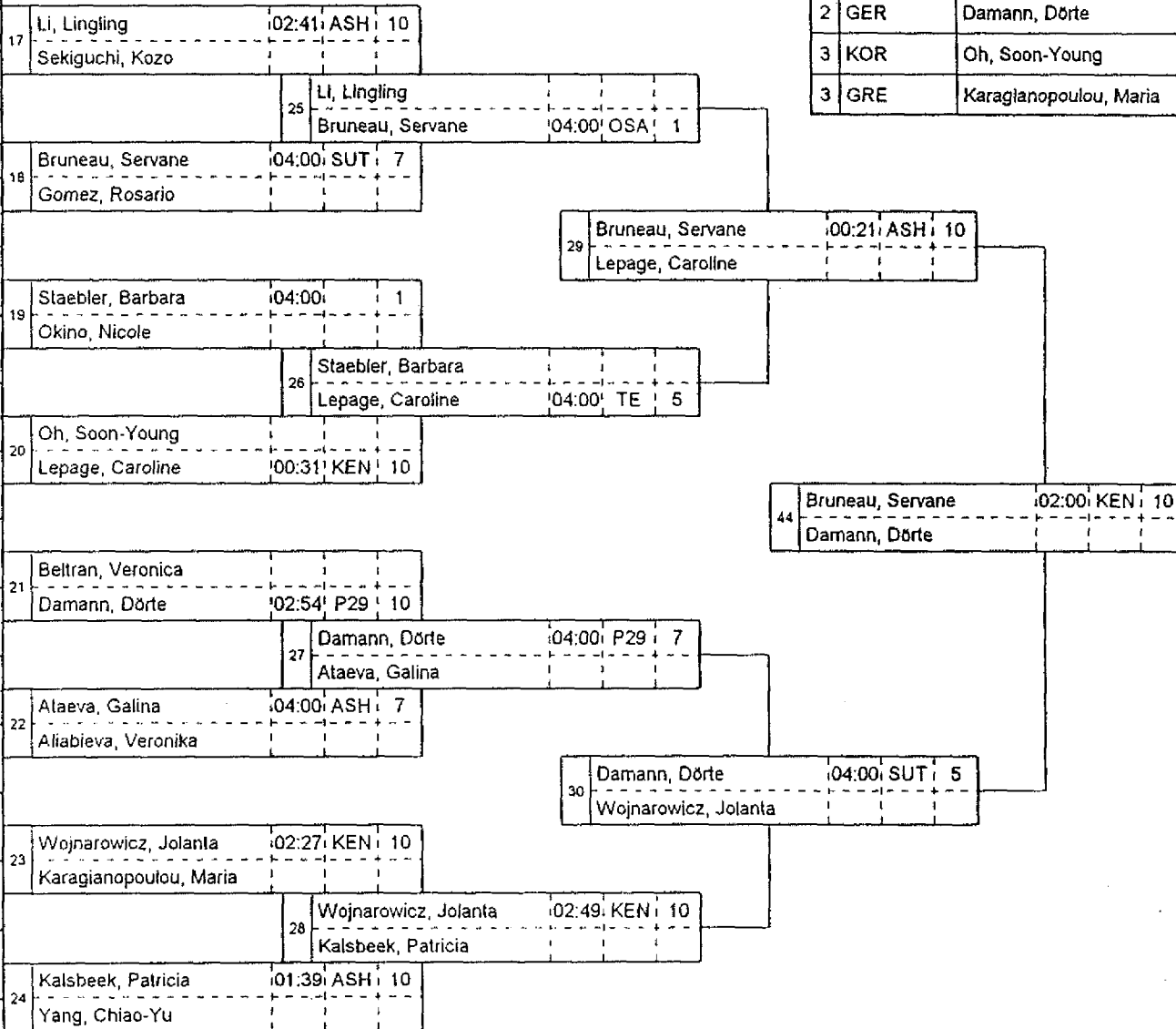
Numéro Number	Pays Country	Total						Féminin/Women						Homme/Men									
		Or	Ar.	Br.	4	5	7+	Total	Or	Ar.	Br.	4	5	7+	Total	Or	Ar.	Br.	4	5	7+	Total	
42	UKR				1	1	2							1	1							1	1
43	USA				7		7							1	1							6	6
44	VEN				1		1															1	1
45	Total	16	16	32	32	19	297	8	8	16	16	75	125	8	8	16	16	12	172				

## Championnat du monde Universitaire 1996 (Jonquières, QC - 1996/12/10)

### 48Kg Sénior féminin

#### Eliminatoire

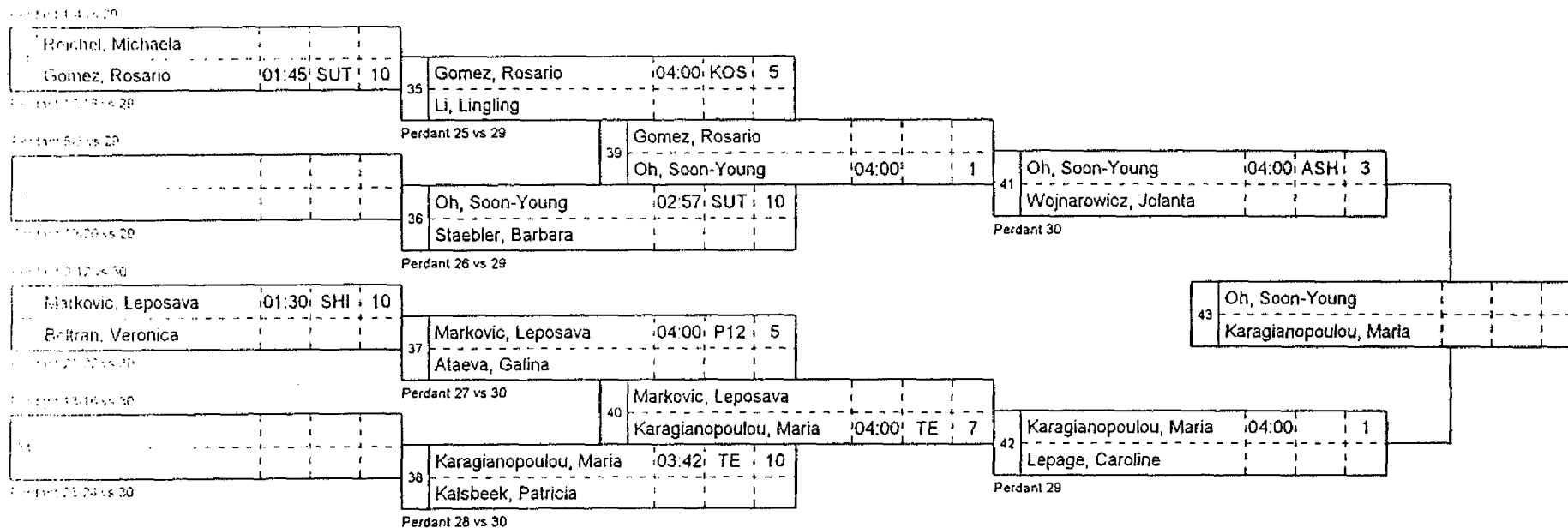
#	Pays	Grade	Nom - Name	Durée	Tech.	Rés.
1	CHN	1D	Li, Lingling			0
2	JPN	1D	Yoshioka, Chika			
3	FRA	1D	Bruneau, Servane	01:07	ASH	10
4	AUT	1D	Reichel, Michaela			
5	ESP	1D	Gomez, Rosario			
6	SUI	1D	Staebler, Barbara			
7	USA	1D	Okino, Nicole			
8	BRA	1D	Maia, Karita S.			
9	KOR	1D	Oh, Soon-Young	02:42	OSA	10
10	CAN	1D	Lepage, Caroline			
11	MEX	1D	Beltran, Veronica			
12	GER	1D	Damann, Dörte	04:00	P29	3
13	YUG	1D	Markovic, Leposava			
14	TKM	1D	Ataeva, Galina	04:00	ASH	3
15	UKR	1D	Rodina, Olga			
16	RUS	1D	Aliabieva, Veronika			
17	POL	1D	Wojnarowicz, Jolanta			
18	GRE	1D	Karagianopoulou, Maria			
19	UED	1D	Kalsbeek, Patricia			
20	TPE	1D	Yang, Chiao-Yu			



CLASSEMENT	
1	FRA Bruneau, Servane
2	GER Damann, Dörte
3	KOR Oh, Soon-Young
3	GRE Karagianopoulou, Maria

## Championnat du monde Universitaire 1996 (Jonquières, QC - 1996/12/10) 48Kg Sénior féminin

### Repêchage



**Récapitulatif de la catégorie / Category Summary**  
**Championnat du monde Universitaire 1996 (Jonquière, QC - 1996/12/10)**  
**48Kg**

Classement Ranking	Nom, prénom Surname, First Name	Grade Rank	Pays Country	Vic./Win		Déf./Lost		Points/Scores				Pénalités/Penalties				Temps / Tim			
				#	Pts	#	Pts	I	W	Y	K	Total	H	K	C	S	Total	Total	Moy./A
Or	Bruneau, Servane	1D	FRA	5	38	0	0	3	1	0	1	5	0	0	0	0	0	11:28	02:17
Argent	Damann, Dörte	1D	GER	4	25	1	10	0	0	1	0	1	1	1	0	1	3	16:54	03:22
Bronze	Karagianopoulou, Maria	1D	GRE	3	18	1	10	1	1	0	0	2	0	0	0	0	0	14:09	03:32
Bronze	Oh, Soon-Young	1D	KOR	4	24	1	10	2	0	0	1	3	0	0	0	0	0	14:10	02:50
5	Lepage, Caroline	1D	CAN	2	15	2	11	1	0	1	0	2	0	0	0	0	0	08:52	02:13
5	Wojnarowicz, Jolanta	1D	POL	2	20	2	8	2	0	0	0	2	0	0	0	0	0	13:16	03:19
7	Gomez, Rosario	1D	ESP	2	15	2	8	1	0	1	0	2	0	0	0	0	0	13:45	03:28
7	Markovic, Lepasava	1D	YUG	2	15	2	10	1	0	0	0	1	0	0	1	0	1	13:30	03:22
9	Li, Lingling	1D	CHN	1	10	2	6	1	0	0	0	1	0	0	0	0	0	10:41	03:32
9	Kalsbeek, Patricia	1D	NED	1	10	2	20	1	0	0	0	1	0	0	0	0	0	08:10	02:43
9	Staebler, Barbara	1D	SUI	1	1	2	15	0	0	0	0	0	0	0	0	0	0	10:57	03:39
9	Ataeva, Galina	1D	TKM	2	10	2	12	0	1	0	1	2	0	0	0	0	0	16:00	04:00
13	Reichel, Michaela	1D	AUT	0	0	2	20	0	0	0	0	0	0	0	0	0	0	02:52	01:20
13	Beltran, Veronica	1D	MEX	0	0	2	20	0	0	0	0	0	0	0	0	0	0	04:24	02:12
17	Maia, Karita S.	1D	BRA	0	0	1	10	0	0	0	0	0	0	0	0	0	0	02:42	02:42
17	Aliabieva, Veronika	1D	RUS	0	0	1	7	0	0	0	0	0	0	0	0	0	0	04:00	04:00
17	Yang, Chiao-Yu	1D	TPE	0	0	1	10	0	0	0	0	0	0	0	0	0	0	01:39	01:39
17	Rodina, Olga	1D	UKR	0	0	1	3	0	0	0	0	0	0	0	0	0	0	04:00	04:00
17	Okino, Nicole	1D	USA	0	0	1	1	0	0	0	0	0	0	0	0	0	0	04:00	04:00

Nombre de participant: 19

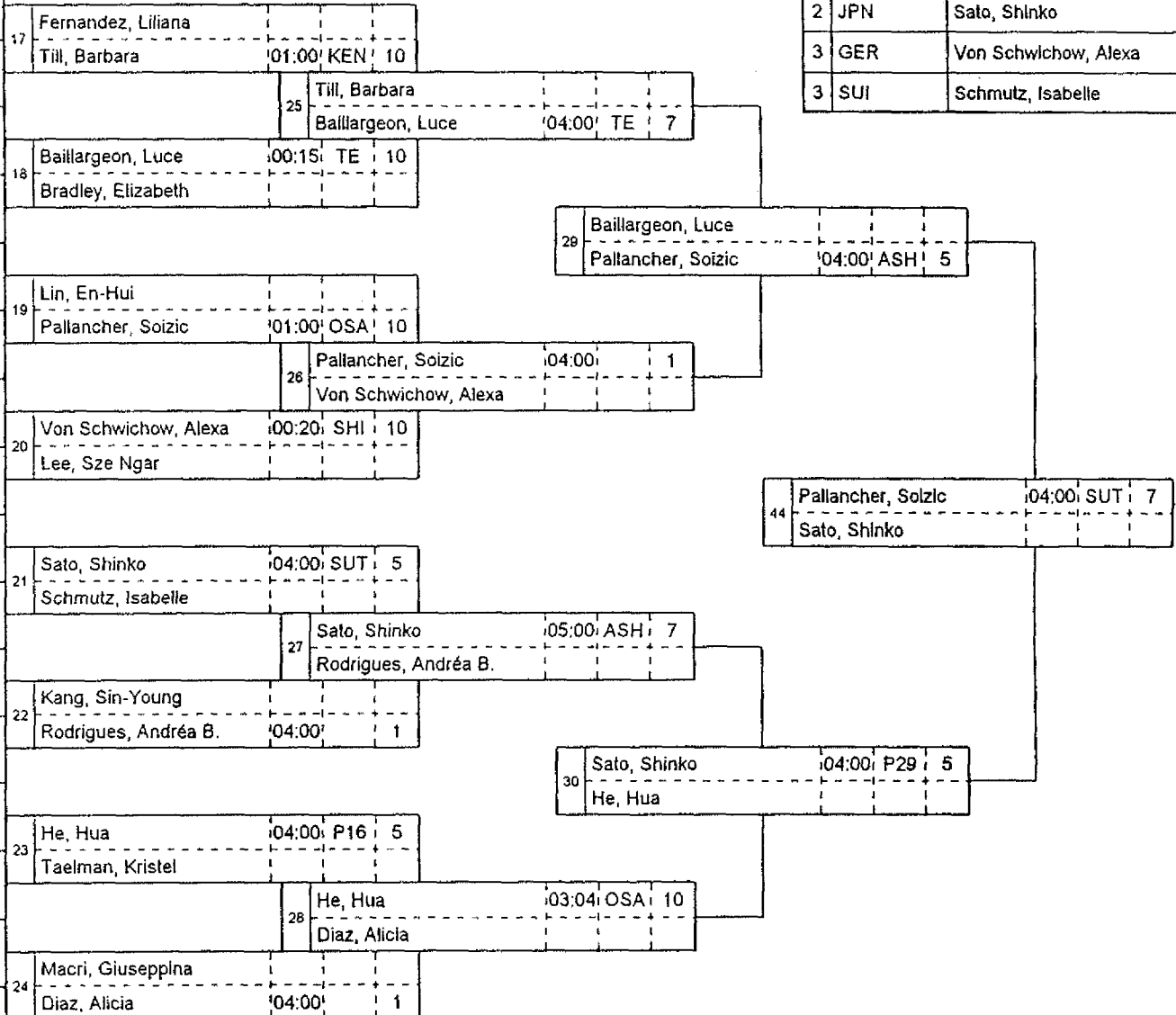
87:44 03:0

## Championnat du monde Universitaire 1996 (Jonquière, QC - 1996/12/10)

### 52Kg Sénior féminin

#### Eliminatoire

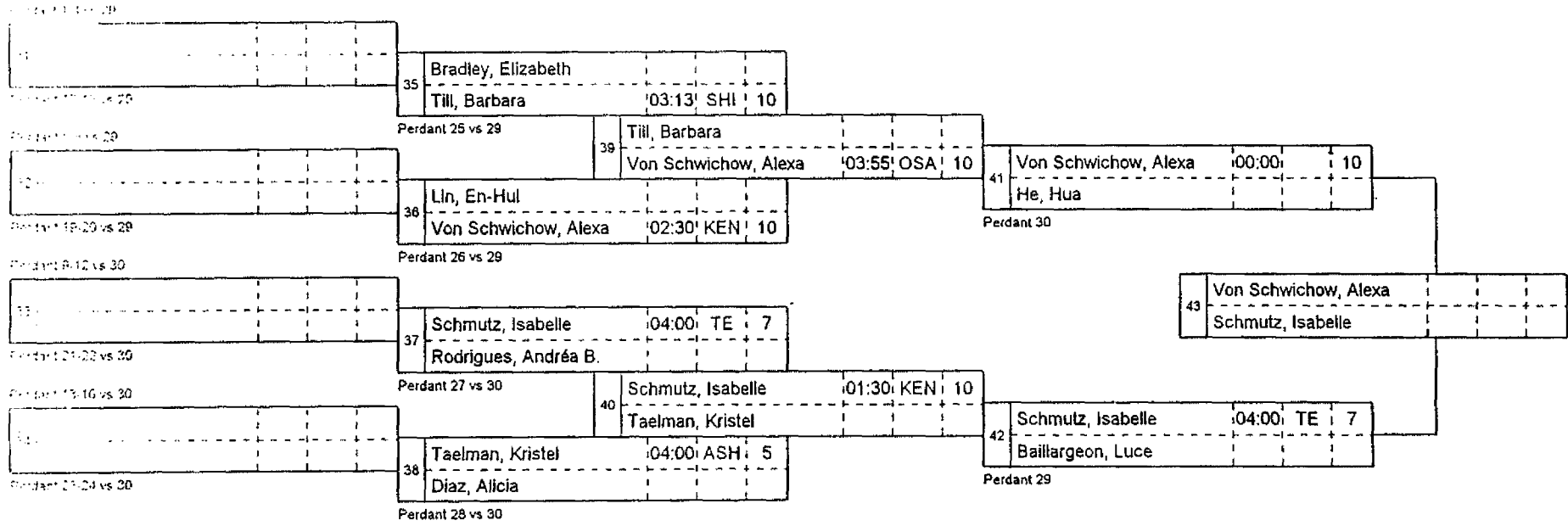
#	Pays	Grade	Nom - Name	Durée	Tech.	Rés.
1	MEX	1D	Fernandez, Liliana			
2	HUN	1D	Till, Barbara			
3	CAN	1D	Baillargeon, Luce			
4	IRL	1D	Bradley, Elizabeth			
5	TPE	1D	Lin, En-Hui			
6	FRA	1D	Pallancher, Soizic			
7	GBR	1D	Smithson, Samantha			
8	GER	1D	Von Schwichow, Alexa	'03:04'	OSA	10
9	MAC	1D	Lee, Sze Ngar			
10	JPN	1D	Sato, Shinko			
11	SUI	1D	Schmutz, Isabelle			
12	KOR	1D	Kang, Sin-Young			
13	BRA	1D	Rodrigues, Andréa B.			
14	CHN	1D	He, Hua			
15	BEL	1D	Taelman, Kristel			
16	ITA	1D	Macri, Giuseppina			
17	ESP	1D	Diaz, Alicia			



CLASSEMENT		
1	FRA	Pallancher, Soizic
2	JPN	Sato, Shinko
3	GER	Von Schwichow, Alexa
3	SUI	Schmutz, Isabelle

# Championnat du monde Universitaire 1996 (Jonquière, QC - 1996/12/10) 52Kg Sénior féminin

## Repêchage



## Récapitulatif de la catégorie / Category Summary

### Championnat du monde Universitaire 1996 (Jonquière, QC - 1996/12/10)

52Kg

Classement Ranking	Nom, prénom Surname, First Name	Grade Rank	Pays Country	Vic./Win		Déf./Lost		Points/Scores				Pénalités/Penalties					Temps / Ti		
				#	Pts	#	Pts	I	W	Y	K	Total	H	K	C	S	Total	Total	Moy./#
Or	Pallancher, Soizic	1D	FRA	4	23	0	0	1	1	1	0	3	0	0	0	0	0	13:00	03:1
Argent	Sato, Shinko	1D	JPN	3	17	1	7	0	1	1	0	2	0	0	1	0	1	17:00	04:1
Bronze	Von Schwichow, Alexa	1D	GER	5	50	1	1	4	0	0	0	4	0	0	0	0	0	13:49	02:1
Bronze	Schmutz, Isabelle	1D	SUI	3	24	1	5	1	2	0	0	3	0	0	0	0	0	13:30	03:2
5	Baillargeon, Luce	1D	CAN	2	17	2	12	1	1	0	0	2	0	0	0	0	0	12:15	03:0
5	He, Hua	1D	CHN	2	15	2	15	1	0	0	0	1	0	0	1	0	1	11:04	02:4
7	Taelman, Kristel	1D	BEL	1	5	2	15	0	0	1	0	1	0	0	0	0	0	09:30	03:1
7	Till, Barbara	1D	HUN	2	20	2	17	2	0	0	0	2	0	0	0	0	0	12:08	03:0
9	Rodrigues, Andréa B.	1D	BRA	1	1	2	14	0	0	0	0	0	0	0	0	0	0	13:00	04:2
9	Diaz, Alicia	1D	ESP	1	1	2	15	0	0	0	0	0	0	0	0	0	0	11:04	03:4
9	Bradley, Elizabeth	1D	IRL	0	0	2	20	0	0	0	0	0	0	0	0	0	0	03:28	01:4
9	Lin, En-Hui	1D	TPE	0	0	2	20	0	0	0	0	0	0	0	0	0	0	03:30	01:4
17	Smithson, Samantha	1D	GBR	0	0	1	10	0	0	0	0	0	0	0	0	0	0	03:04	03:0
17	Macri, Giuseppina	1D	ITA	0	0	1	1	0	0	0	0	0	0	0	0	0	0	04:00	04:0
17	Kang, Sin-Young	1D	KOR	0	0	1	1	0	0	0	0	0	0	0	0	0	0	04:00	04:0
17	Lee, Sze Ngar	1D	MAC	0	0	1	10	0	0	0	0	0	0	0	0	0	0	00:20	00:2
17	Fernandez, Liliana	1D	MEX	0	0	1	10	0	0	0	0	0	0	0	0	0	0	01:00	01:0

Nombre de participant: 17

72:51 03:0



## Championnat du monde Universitaire 1996 (Jonquière, QC - 1996/12/10)

### 56Kg Sénior féminin

#### Eliminatoire

#	Pays	Grade	Nom - Name	Durée	Tech.	Rés.
1	ALG	1D	Mekzine, Lynda			
2	ESP	1D	Fernandez, Isabel			
3	ITA	1D	Campanini, Francesca			
4	KOR	1D	Lee, Won-Jung			
5	CHN	1D	Liu, Yuxiang			
6	RSA	1D	Nkotha, Noluthando			
7	AUT	1D	Rinnerthaler, Alexandra	04:00	P29	3
8	AZE	1D	Gousseinova, Zoulfija			
9	TPE	1D	Wu, Ching-Hui			
10	CAN	2D	Baron, Geneviève			
11	NED	1D	Van Havezaat, Joan			
12	POL	1D	Kucharzewska, Beata			
13	JPN	1D	Matsumoto, Atsuko	04:00	TE	3
14	BRA	1D	Pereira, Jaqueline			
15	MEX	1D	Rosas, Josefina			
16	GRR	1D	Barry, Natalie			
17	GER	1D	Münzinger, Tanja			
18	FRA	1D	Baton, Magalie			

17	Mekzine, Lynda				
	Fernandez, Isabel	02:51	KEN	10	
25	Fernandez, Isabel	02:36	ASH	10	
	Lee, Won-Jung				
18	Campanini, Francesca				
	Lee, Won-Jung	00:53	ASH	10	
29	Fernandez, Isabel	02:50	OSA	10	
	Liu, Yuxiang				
19	Liu, Yuxiang	00:33	SHI	10	
	Nkotha, Noluthando				
28	Liu, Yuxiang	03:57	TE	10	
	Münzinger, Tanja				
20	Rinnerthaler, Alexandra	00:44	SUT	10	
	Wu, Ching-Hui				
21	Baron, Geneviève				
	Van Havezaat, Joan	04:00	ASH	7	
27	Van Havezaat, Joan				
	Matsumoto, Atsuko	03:34	OSA	10	
	Matsumoto, Atsuko	02:21	TE	10	
22	Matsumoto, Atsuko				
	Pereira, Jaqueline				
30	Matsumoto, Atsuko				
	Baton, Magalie	04:00	SUT	7	
23	Rosas, Josefina				
	Barry, Natalie	04:00	ASH	3	
28	Barry, Natalie				
	Baton, Magalie	04:00	P29	7	
24	Münzinger, Tanja				
	Baton, Magalie	03:22	OSA	10	

CLASSEMENT		
1	ESP	Fernandez, Isabel
2	FRA	Baton, Magalie
3	ALG	Mekzine, Lynda
3	CHN	Liu, Yuxiang

44	Fernandez, Isabel	04:00		1
	Baton, Magalie			

## Championnat du monde Universitaire 1996 (Jonquiere, QC - 1996/12/10) 56Kg Sénior féminin

### Repêchage

Perdant 1-4 vs 29

1-4				
-----	--	--	--	--

35	Mekzine, Lynda	00:28	KOS	10
	Lee, Won-Jung			

Perdant 17-18 vs 29

17-18				
-------	--	--	--	--

Perdant 25 vs 29

39	Mekzine, Lynda	01:59	ASH	10
	Rinnerthaler, Alexandra			

Perdant 19 vs 29

19				
----	--	--	--	--

36	Nkotha, Noluthando			
	Rinnerthaler, Alexandra	00:08	ASH	10

41	Mekzine, Lynda	02:42	SUT	10
	Matsumoto, Atsuko			

Perdant 30

Perdant 21-22 vs 29

21-22	Kucharzewska, Beata	04:00	ASH	7
	Pereira, Jaqueline			

Perdant 26 vs 29

37	Kucharzewska, Beata	02:15	KEN	10
	Van Havezaat, Joan			

43	Mekzine, Lynda			
	Liu, Yuxiang			

Perdant 24-25 vs 30

24-25				
-------	--	--	--	--

Perdant 27 vs 30

40	Kucharzewska, Beata	01:45	KEN	10
	Münzinger, Tanja			

42	Kucharzewska, Beata			
	Liu, Yuxiang	03:30	OSA	10

Perdant 29

Perdant 23-24 vs 30

23-24				
-------	--	--	--	--

38	Münzinger, Tanja	04:00	TE	5
	Barry, Natalie			

Perdant 28 vs 30

**Récapitulatif de la catégorie / Category Summary**  
**Championnat du monde Universitaire 1996 (Jonquière, QC - 1996/12/10)**  
**56Kg**

Classement Ranking	Nom, prénom Surname, First Name	Grade Rank	Pays Country	Vic./Win		Déf./Lost		Points/Scores					Pénalités/Penalties					Temps / Tir			
				#	Pts	#	Pts	I	W	Y	K	Total	H	K	C	S	Total	Total	Moy./A		
Or	Fernandez, Isabel	1D	ESP	4	31	0	0	3	0	0	0	3	0	0	0	0	0	0	0	12:17	03:0
Argent	Baton, Magalie	1D	FRA	3	24	1	1	1	1	0	0	2	0	1	0	0	1	0	15:22	03:5	
Bronze	Mekzine, Lynda	1D	ALG	3	30	1	10	3	0	0	0	3	0	0	0	0	0	0	08:00	02:0	
Bronze	Liu, Yuxiang	1D	CHN	3	30	1	10	3	0	0	0	3	0	0	0	0	0	0	10:50	02:4	
5	Matsumoto, Atsuko	1D	JPN	3	23	2	17	2	0	0	1	3	0	0	0	0	0	0	16:37	03:1	
5	Kucharzewska, Beata	1D	POL	3	27	2	13	2	1	0	0	3	0	0	0	0	0	0	15:30	03:0	
7	Rinnerthaler, Alexandra	1D	AUT	3	23	1	10	2	0	0	0	2	0	0	0	1	1	06:51	01:4		
7	Münzinger, Tanja	1D	GER	1	5	3	30	0	0	1	0	1	0	0	0	0	0	13:04	03:1		
9	Barry, Natalie	1D	GBR	1	3	2	12	0	0	0	1	1	0	0	0	0	0	12:00	04:0		
9	Lee, Won-Jung	1D	KOR	1	10	2	20	1	0	0	0	1	0	0	0	0	0	03:57	01:1		
9	Van Havezaat, Joan	1D	NED	1	7	2	20	0	1	0	0	1	0	0	0	0	0	09:49	03:1		
9	Nkotha, Noluthando	1D	RSA	0	0	2	20	0	0	0	0	0	0	0	0	0	0	00:41	00:2		
13	Pereira, Jaqueline	1D	BRA	0	0	2	17	0	0	0	0	0	0	0	0	0	0	06:21	03:1		
17	Gousseinova, Zoulfia	1D	AZE	0	0	1	3	0	0	0	0	0	0	0	0	0	0	04:00	04:0		
17	Baron, Geneviève	2D	CAN	0	0	1	7	0	0	0	0	0	0	0	0	0	0	04:00	04:0		
17	Campanini, Francesca	1D	ITA	0	0	1	10	0	0	0	0	0	0	0	0	0	0	00:53	00:5		
17	Rosas, Josefina	1D	MEX	0	0	1	3	0	0	0	0	0	0	0	0	0	0	04:00	04:0		
17	Wu, Ching-Hui	1D	TPE	0	0	1	10	0	0	0	0	0	0	0	0	0	0	00:44	00:4		

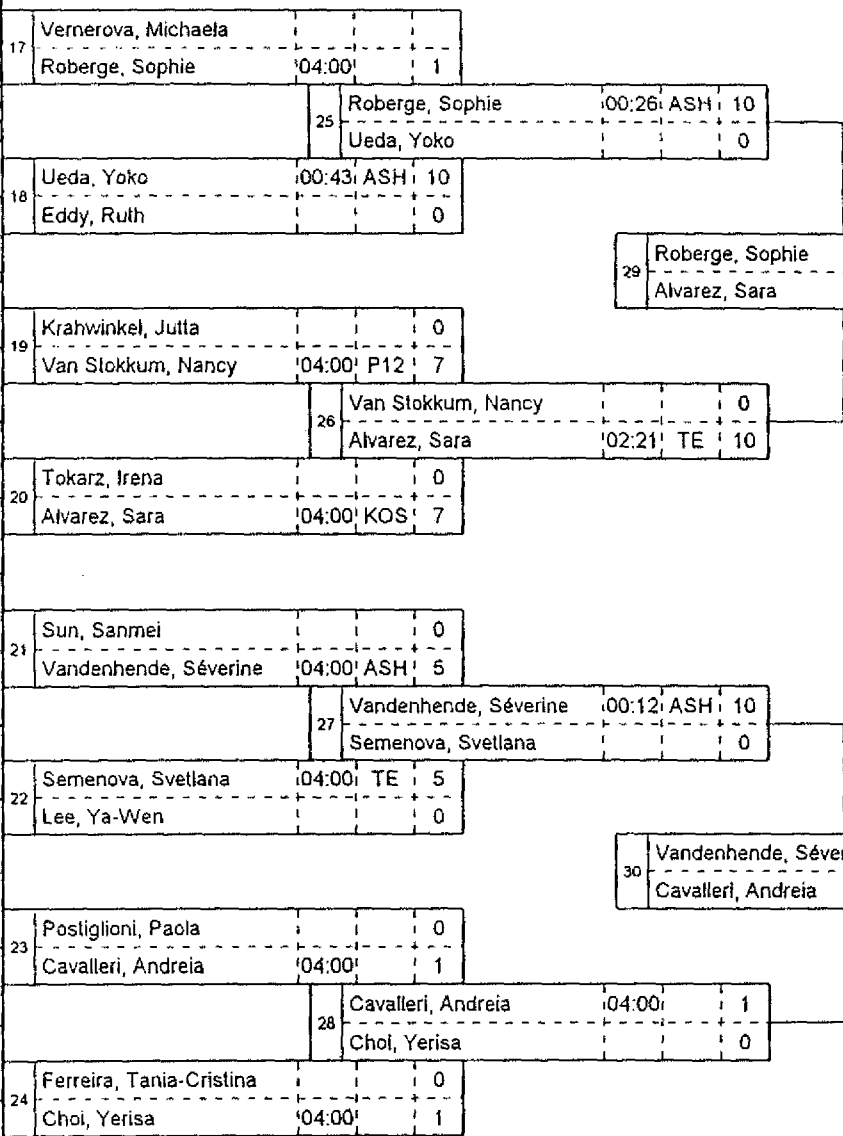
Nombre de participant: 18

72:28 02:4

## Championnat du monde Universitaire 1996 (Jonquières, QC - 1996/12/10) 61Kg Sénior féminin

### Eliminatoire

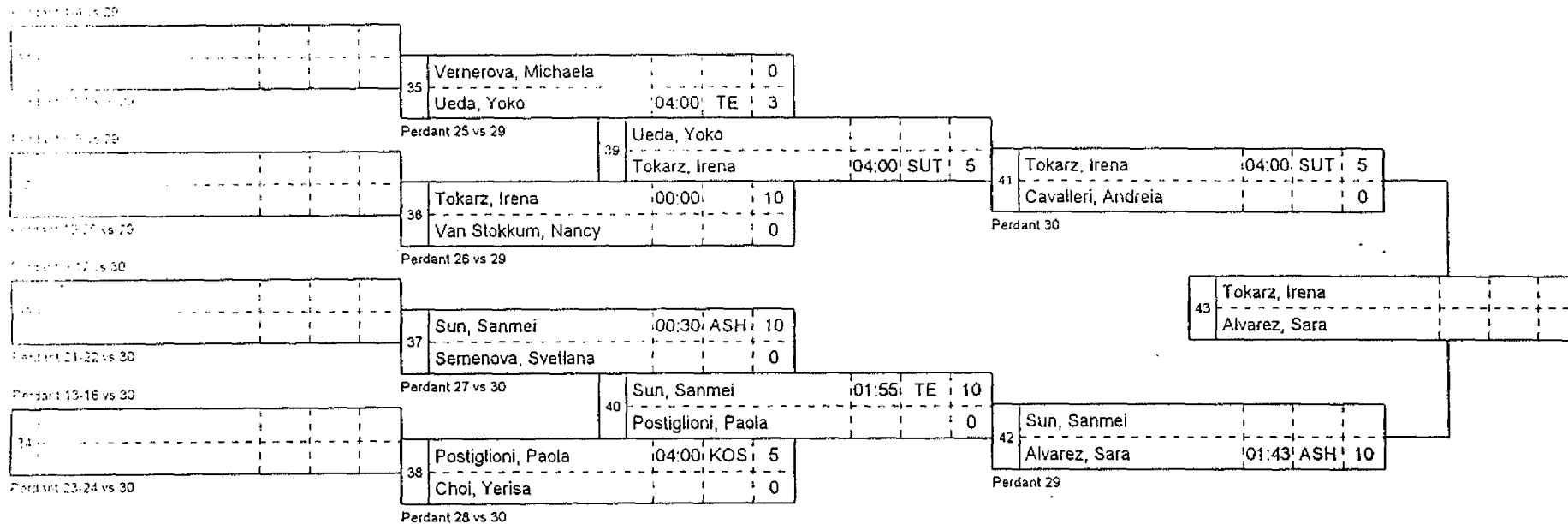
#	Pays	Grade	Nom - Name	Durée	Tech.	Rés.
1	CZE	1D	Vernerova, Michaela			
2	CAN	3D	Roberge, Sophie			
3	JPN	1D	Ueda, Yoko			
4	GBR	1D	Eddy, Ruth			
5	GER	1D	Krahwinkel, Jutta			
6	NED	1D	Van Stokkum, Nancy			
7	POL	1D	Tokarz, Irena			
8	ESP	1D	Alvarez, Sara			
9	CHN	1D	Sun, Sanmei			
10	FRA	1D	Vandenhende, Séverine			
11	RUS	1D	Semenova, Svetlana			
12	TPE	1D	Lee, Ya-Wen			
13	ITA	1D	Postiglioni, Paola			
14	POR	1D	Cavalleri, Andreia			
15	BRA	1D	Ferreira, Tania-Cristina			
16	KOR	1D	Choi, Yerisa			



CLASSEMENT		
1	FRA	Vandenhende, Séverine
2	CAN	Roberge, Sophie
3	POL	Tokarz, Irena
3	ESP	Alvarez, Sara

## Championnat du monde Universitaire 1996 (Jonquiere, QC - 1996/12/10) 61Kg Sénior féminin

### Repêchage



**Récapitulatif de la catégorie / Category Summary**  
**Championnat du monde Universitaire 1996 (Jonquière, QC - 1996/12/10)**  
**61Kg**

Classement Ranking	Nom, prénom Surname, First Name	Grade Rank	Pays Country	Vic./Win		Déf./Lost		Points/Scores					Pénalités/Penalties					Temps / Time	
				#	Pts	#	Pts	I	W	Y	K	Total	H	K	C	S	Total	Total	Moy JA
Or	Vandenhende, Séverine	1D	FRA	4	35	0	0	3	0	1	0	4	0	0	0	0	0	07:16	01:49
Argent	Roberge, Sophie	3D	CAN	3	21	1	10	2	0	0	0	2	0	0	0	0	06:38	01:39	
Bronze	Alvarez, Sara	1D	ESP	3	27	1	10	2	1	0	0	3	0	0	0	0	09:26	02:21	
Bronze	Tokarz, Irena	1D	POL	3	20	1	7	0	0	2	0	2	0	0	0	0	12:00	03:00	
5	Sun, Sanmei	1D	CHN	2	20	2	15	2	0	0	0	2	0	0	0	0	08:08	02:02	
5	Cavalleri, Andreia	1D	POR	2	2	2	15	0	0	0	0	0	0	0	0	0	14:14	03:33	
7	Postiglioni, Paola	1D	ITA	1	5	2	11	0	0	1	0	1	0	0	0	0	09:55	03:18	
7	Ueda, Yoko	1D	JPN	2	13	2	15	1	0	0	1	2	0	0	0	0	09:09	02:17	
9	Vernerova, Michaela	1D	CZE	0	0	2	4	0	0	0	0	0	0	0	0	0	08:00	04:00	
9	Choi, Yerisa	1D	KOR	1	1	2	6	0	0	0	0	0	0	0	0	0	12:00	04:00	
9	Van Stokkum, Nancy	1D	NED	1	7	2	20	0	0	0	0	0	0	1	0	0	06:21	02:07	
9	Semenova, Svetlana	1D	RUS	1	5	2	20	0	0	1	0	1	0	0	0	0	04:42	01:34	
17	Ferreira, Tania-Cristina	1D	BRA	0	0	1	1	0	0	0	0	0	0	0	0	0	04:00	04:00	
17	Eddy, Ruth	1D	GBR	0	0	1	10	0	0	0	0	0	0	0	0	0	00:43	00:43	
17	Krahwinkel, Jutta	1D	GER	0	0	1	7	0	0	0	0	0	0	0	0	0	04:00	04:00	
17	Lee, Ya-Wen	1D	TPE	0	0	1	5	0	0	0	0	0	0	0	0	0	04:00	04:00	

Nombre de participant: 17

60:16 02:37

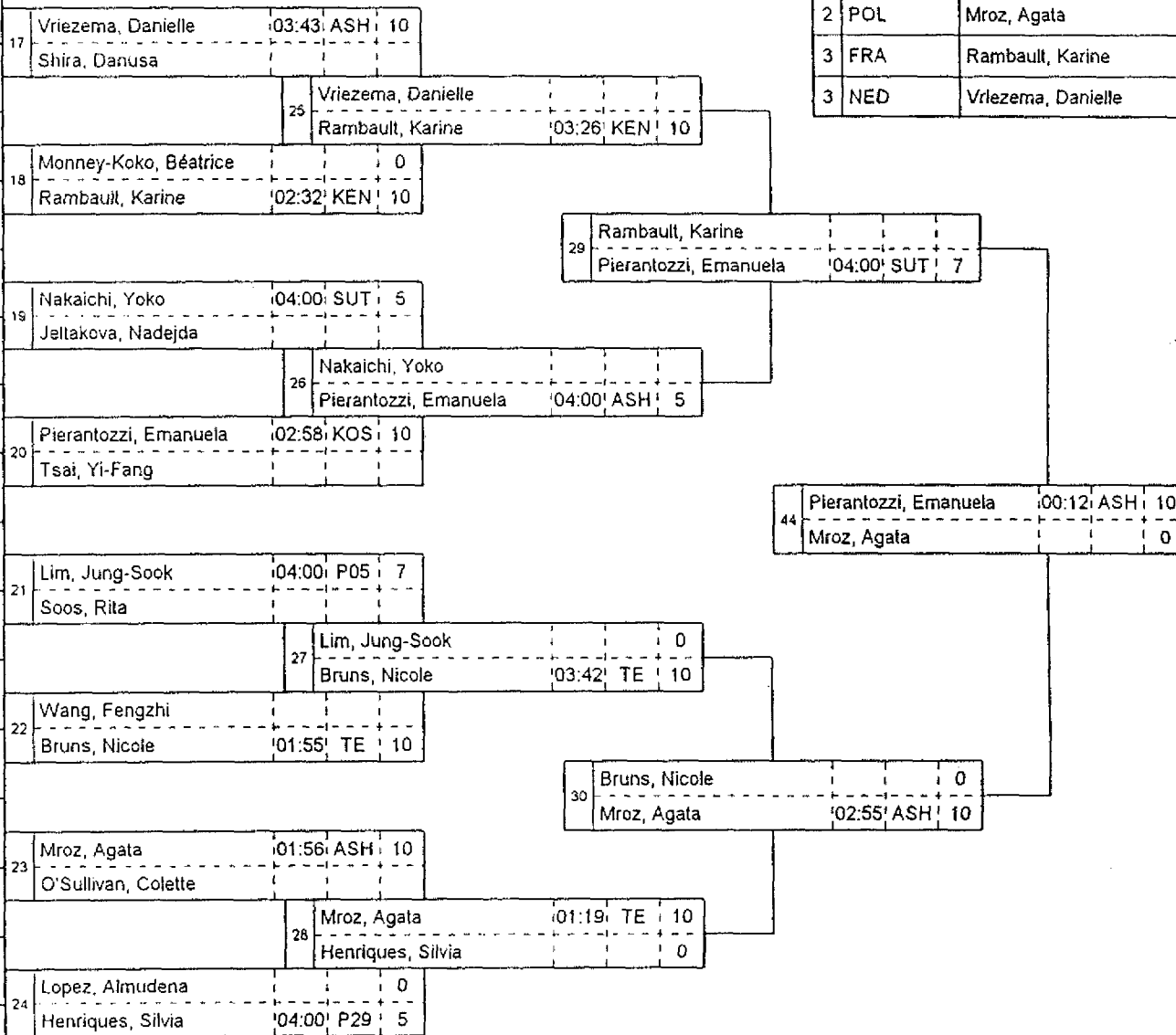
## Championnat du monde Universitaire 1996 (Jonquière, QC - 1996/12/10)

### 66Kg Sénior féminin

#### Eliminatoire

CLASSEMENT	
1	ITA Pierantozzi, Emanuela
2	POL Mroz, Agata
3	FRA Rambault, Karine
3	NED Vriezema, Danielle

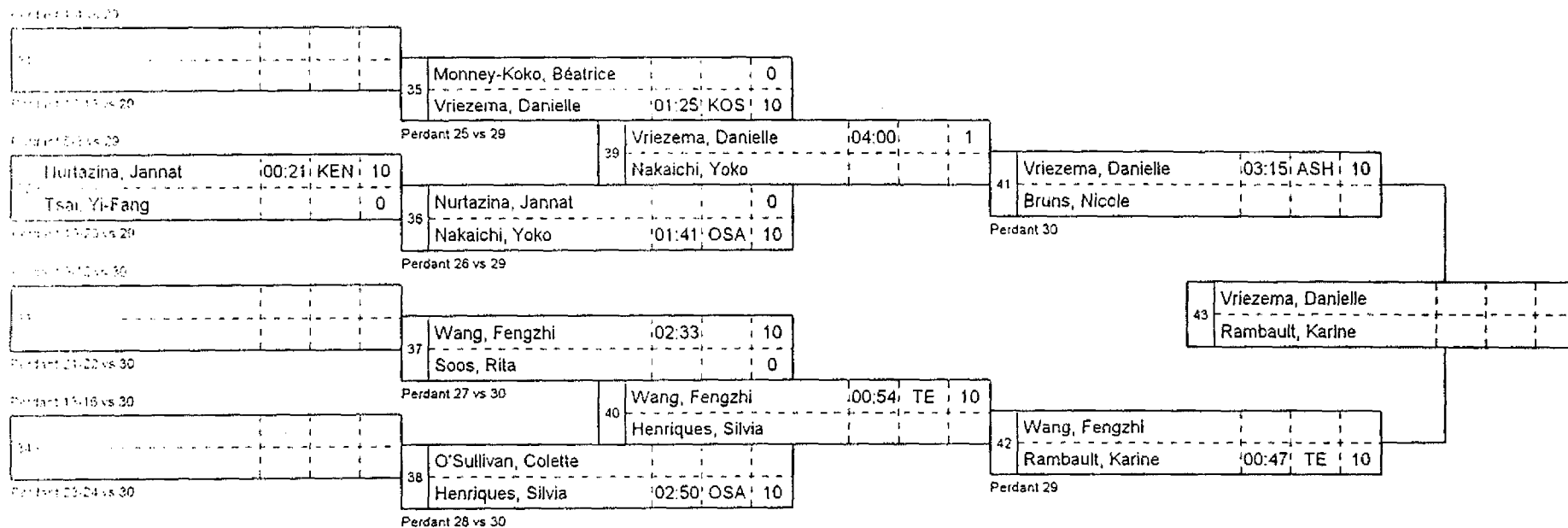
#	Pays	Grade	Nom - Name	Durée	Tech.	Rés.
1	NED	1D	Vriezema, Danielle			
2	RFA	1D	Shira, Danusa			
3	CIV	1D	Monney-Koko, Béatrice			
4	FRA	1D	Rambault, Karine			
5	JPN	1D	Nakaichi, Yoko			
6	TKM	1D	Jeltakova, Nadejda			
7	KAZ	1D	Nurtazina, Jannat			
8	ITA	1D	Pierantozzi, Emanuela	03:51	ASH	10
9	TPE	1D	Tsai, Yi-Fang			
10	KOR	1D	Lim, Jung-Sook			
11	HUN	1D	Soos, Rita			
12	CHN	1D	Wang, Fengzhi	04:00	TE	5
13	GBR	1D	Roberts, Karen			
14	GER	1D	Bruns, Nicole			
15	POL	1D	Mroz, Agata			
16	CAN	1D	O'Sullivan, Colette			
17	ESP	1D	Lopez, Almudena			
18	POR	1D	Henriques, Silvia			



## Championnat du monde Universitaire 1996 (Jonquière, QC - 1996/12/10)

### 66Kg Sénior féminin

#### Repêchage





**Récapitulatif de la catégorie / Category Summary**  
**Championnat du monde Universitaire 1996 (Jonquière, QC - 1996/12/10)**  
**66Kg**

Classement Ranking	Nom, prénom Surname, First Name	Grade Rank	Pays Country	Vic./Win		Déf./Lost		Points/Scores					Pénalités/Penalties					Temps / Tim	
				#	Pts	#	Pts	I	W	Y	K	Total	H	K	C	S	Total	Total	Moy./Av
Or	Pierantozzi, Emanuela	1D	ITA	5	42	0	0	3	1	1	0	5	0	0	0	0	0	15:01	03:00
Argent	Mroz, Agata	1D	POL	3	30	1	10	3	0	0	0	3	0	0	0	0	0	06:22	01:35
Bronze	Rambault, Karine	1D	FRA	3	30	1	7	3	0	0	0	3	0	0	0	0	0	10:45	02:41
Bronze	Vriezema, Danielle	1D	NED	4	31	1	10	3	0	0	0	3	0	0	0	0	0	15:49	03:09
5	Wang, Fengzhi	1D	CHN	3	25	2	20	1	0	1	0	2	0	0	0	0	0	10:09	02:01
5	Bruns, Nicole	1D	GER	2	20	2	20	2	0	0	0	2	0	0	0	0	0	11:47	02:56
7	Nakaichi, Yoko	1D	JPN	2	15	2	6	1	0	1	0	2	0	0	0	0	0	13:41	03:25
7	Henriques, Silvia	1D	POR	2	15	2	20	1	0	0	0	1	0	0	1	0	1	09:03	02:15
9	O'Sullivan, Colette	1D	CAN	0	0	2	20	0	0	0	0	0	0	0	0	0	0	04:46	02:23
9	Monney-Koko, Béatrice	1D	CIV	0	0	2	20	0	0	0	0	0	0	0	0	0	0	03:57	01:56
9	Soos, Rita	1D	HUN	0	0	2	17	0	0	0	0	0	0	0	0	0	0	06:33	03:16
9	Nurtazina, Jannat	1D	KAZ	1	10	2	20	1	0	0	0	1	0	0	0	0	0	05:53	01:57
13	Tsai, Yi-Fang	1D	TPE	0	0	2	20	0	0	0	0	0	0	0	0	0	0	03:19	01:39
17	Shira, Danusa	1D	BRA	0	0	1	10	0	0	0	0	0	0	0	0	0	0	03:43	03:43
17	Lopez, Almudena	1D	ESP	0	0	1	5	0	0	0	0	0	0	0	0	0	0	04:00	04:00
17	Roberts, Karen	1D	GBR	0	0	1	5	0	0	0	0	0	0	0	0	0	0	04:00	04:00
17	Lim, Jung-Sook	1D	KOR	1	7	1	10	0	0	0	0	0	0	1	0	0	1	07:42	03:57
17	Jeltakova, Nadejda	1D	TKM	0	0	1	5	0	0	0	0	0	0	0	0	0	0	04:00	04:00

Nombre de participant: 18

70:15 02:41

## Championnat du monde Universitaire 1996 (Jonquière, QC - 1996/12/10)

### 72Kg Sénior féminin

#### Eliminatoire

#### CLASSEMENT

#	Pays	Grade	Nom - Name	Durée	Tech.	Rés.
1	CAN	2D	Gaudreault, Julie			
2	KOR	1D	Shin, Hee-Ja			
3	ESP	1D	Martin, Beatriz	04:00	ASH	1
4	TPE	1D	Chen, Chui-Ping	04:00	ASH	7
5	UKR	1D	Nazarenko, Olessia			0
6	GBR	1D	Melen, Joanna	04:00	TE	3
7	FRA	1D	Tisserand, Sabine			0
8	GER	1D	Gerdès, Silke	04:00	P29	3
9	BRA	1D	Conceicao, Rosangela S.			0
10	CHN	1D	Li, Yanfu	02:42	TE	10
11	NED	1D	Kienhuis, Karin			0
12	ITA	1D	Scapin, Ylenia			
13	JPN	1D	Amao, Miki	03:00	P29	10
14	RUS	1D	Dvoretkaia, Marina			0

9	Gaudreault, Julie			0
9	Martin, Beatriz	01:30	OSA	10
13	Martin, Beatriz			0
13	Chen, Chui-Ping	04:00	OSA	7
10	Chen, Chui-Ping	04:00	P29	7
10	Melen, Joanna			0
24	Chen, Chui-Ping			0
24	Scapin, Ylenia	04:00		1
11	Gerdès, Silke			0
11	Li, Yanfu	04:00	ASH	5
14	Li, Yanfu			0
14	Scapin, Ylenia	04:00	ASH	7
12	Scapin, Ylenia	04:00		1
12	Amao, Miki			0

1	ITA	Scapin, Ylenia
2	TPE	Chen, Chui-Ping
3	GBR	Melen, Joanna
3	NED	Kienhuis, Karin

#### Repêchage

15	Shin, Hee-Ja	01:58	ASH	10
15	Gaudreault, Julie			0
16	Nazarenko, Olessia			0
16	Melen, Joanna	02:11	OSA	10
17	Kienhuis, Karin	04:00	SUT	5
17	Gerdès, Silke			0
18	Amao, Miki			
19	Shin, Hee-Ja			0
19	Melen, Joanna	00:17	TE	10
20	Kienhuis, Karin	00:53	KEN	10
20	Amao, Miki			0
21	Melen, Joanna	04:00	TE	5
21	Li, Yanfu			0
22	Kienhuis, Karin	04:00	SUT	5
22	Martin, Beatriz			0
23	Melen, Joanna			
23	Kienhuis, Karin			

**Récapitulatif de la catégorie / Category Summary**  
**Championnat du monde Universitaire 1996 (Jonquière, QC - 1996/12/10)**  
**72Kg**

Classement Ranking	Nom, prénom Surname, First Name	Grade Rank	Pays Country	Vic./Win		Déf./Lost		Points/Scores					Pénalités/Penalties					Temps / Time			
				#	Pts	#	Pts	I	W	Y	K	Total	H	K	C	S	Total	Total	Moy./A		
Or	Scapin, Ylenia	1D	ITA	3	9	0	0	0	1	0	0	1	0	0	0	0	0	0	0	12:00	04:00
Argent	Chen, Chui-Ping	1D	TPE	3	21	1	1	0	2	0	0	2	0	1	0	0	1	0	16:00	04:00	
Bronze	Melen, Joanna	1D	GBR	4	28	1	7	2	0	1	1	4	0	0	0	0	0	0	14:28	02:50	
Bronze	Kienhuis, Karin	1D	NED	3	20	1	10	1	0	2	0	3	0	0	0	0	0	0	11:35	02:50	
5	Li, Yanfu	1D	CHN	2	15	2	12	1	0	1	0	2	0	0	0	0	0	0	14:42	03:40	
5	Martin, Beatriz	1D	ESP	2	11	2	12	1	0	0	0	1	0	0	0	0	0	0	13:30	03:20	
7	Amao, Miki	1D	JPN	1	10	2	11	0	0	0	0	0	1	0	0	0	1	0	07:53	02:30	
7	Shin, Hee-Ja	1D	KOR	1	10	2	11	1	0	0	0	1	0	0	0	0	0	0	06:15	02:00	
9	Gaudreault, Julie	2D	CAN	0	0	2	20	0	0	0	0	0	0	0	0	0	0	0	03:28	01:40	
9	Gerdas, Silke	1D	GER	1	3	2	10	0	0	0	0	0	0	0	0	1	1	12:00	04:00		
9	Nazarenko, Olessia	1D	TKM	0	0	2	17	0	0	0	0	0	0	0	0	0	0	0	06:11	03:00	
13	Conceicao, Rosangela S.	1D	BRA	0	0	1	3	0	0	0	0	0	0	0	0	0	0	0	04:00	04:00	
13	Tisserand, Sabine	1D	FRA	0	0	1	3	0	0	0	0	0	0	0	0	0	0	0	04:00	04:00	
13	Dvoretkaia, Marina	1D	RUS	0	0	1	10	0	0	0	0	0	0	0	0	0	0	0	03:00	03:00	

Nombre de participant: 14

64:31 03:10

## Championnat du monde Universitaire 1996 (Jonquière, QC - 1996/12/10) +72Kg Sénior féminin

### Eliminatoire

#	Pays	Grade	Nom - Name	Durée	Tech.	Rés.
1	BRA	1D	Oliveira, Viviane A.			
2	CAN	2D	Hayde, Karen			0
3	CHI	1D	Yeh, Wen-Hwa	'04:00'	ASH	3
4	POL	1D	Kolodziejczyk, Marta			
5	ITA	1D	Burgatta, Donata			0
6	GBR	1D	Rodgers, Michelle	'04:00'		1
7	AUT	1D	Dorfinger, Christine			
8	NED	1D	Harteveld, Françoise			0
9	FRA	1D	Lebrun, Céline	'04:00'	P29	5
10	JPN	1D	Seo, Hidemi			
11	KOR	1D	Lee, Hyun-Kyung			

8	Oliveira, Viviane A.			0
9	Yeh, Wen-Hwa	'04:00'		1
10	Kolodziejczyk, Marta	'04:00'		1
10	Rodgers, Michelle			0
11	Dorfinger, Christine			0
11	Lebrun, Céline	'00:56'	OSA	10
12	Seo, Hidemi			0
12	Lee, Hyun-Kyung	'04:00'	P29	5
13	Yeh, Wen-Hwa			0
13	Kolodziejczyk, Marta	'01:36'	OSA	10
14	Lebrun, Céline	'00:50'	KOS	10
14	Lee, Hyun-Kyung			0
24	Kolodziejczyk, Marta			0
24	Lebrun, Céline	'04:00'		1

CLASSEMENT	
1	FRA Lebrun, Céline
2	POL Kolodziejczyk, Marta
3	KOR Lee, Hyun-Kyung
3	NED Harteveld, Françoise

### Repêchage

15	Hayde, Karen	'04:00'	ASH	5
15	Oliveira, Viviane A.			0
16	Rodgers, Michelle			
17	Harteveld, Françoise	'04:00'	SUT	5
17	Dorfinger, Christine			0
18	Seo, Hidemi			0
19	Hayde, Karen			0
19	Rodgers, Michelle	'03:46'	KOS	10
20	Harteveld, Françoise	'04:00'	TE	5
20	Seo, Hidemi			0
21	Rodgers, Michelle			0
21	Lee, Hyun-Kyung	'04:00'	OSA	10
22	Harteveld, Françoise	'02:04'	SHI	10
22	Yeh, Wen-Hwa			0
23	Lee, Hyun-Kyung			
23	Harteveld, Françoise			

**Récapitulatif de la catégorie / Category Summary**  
**Championnat du monde Universitaire 1996 (Jonquière, QC - 1996/12/10)**  
**+72Kg**

Classement Ranking	Nom, prénom Surname, First Name	Grade Rank	Pays Country	Vic./Win		Déf./Lost		Points/Scores				Pénalités/Penalties					Temps / Tir		
				#	Pts	#	Pts	I	W	Y	K	Total	H	K	C	S	Total	Total	Moy./A
Or	Lebrun, Céline	1D	FRA	4	26	0	0	2	0	0	0	2	0	0	1	0	1	09:46	02:26
Argent	Kolodziejczyk, Marta	1D	POL	2	11	1	1	1	0	0	0	1	0	0	0	0	0	09:36	03:12
Bronze	Lee, Hyun-Kyung	1D	KOR	2	15	1	10	1	0	0	0	1	0	0	1	0	1	08:50	02:56
Bronze	Harteveld, Françoise	1D	NED	3	20	1	5	1	0	2	0	3	0	0	0	0	0	14:04	03:31
5	Rodgers, Michelle	1D	GBR	2	11	2	11	1	0	0	0	1	0	0	0	0	0	15:46	03:56
5	Yeh, Wen-Hwa	1D	TPE	2	4	2	20	0	0	0	1	1	0	0	0	0	0	11:40	02:56
7	Hayde, Karen	2D	CAN	1	5	2	13	0	0	1	0	1	0	0	0	0	0	11:46	03:51
7	Seo, Hidemi	1D	JPN	0	0	2	10	0	0	0	0	0	0	0	0	0	0	08:00	04:00
9	Dorfinger, Christine	1D	AUT	0	0	2	15	0	0	0	0	0	0	0	0	0	0	04:56	02:21
9	Oliveira, Viviane A.	1D	BRA	0	0	2	6	0	0	0	0	0	0	0	0	0	0	08:00	04:00
13	Burgatta, Donata	1D	ITA	0	0	1	1	0	0	0	0	0	0	0	0	0	0	04:00	04:00

Nombre de participant: 11

53:12 03:11

## Championnat du monde Universitaire 1996 (Jonquière, QC - 1996/12/10) Ouvert Sénior Féminin

### Eliminatoire

#	Pays	Grade	Nom - Name	Durée	Tech.	Rés.
1	FRA	1D	Lebrun, Céline			
2	POL	1D	Kolodziejczyk, Marta			
3	BRA	1D	Oliveira, Viviane			
4	KOR	1D	Lee, Hyun-Kyung	'04:00'	P29	7
5	NED	1D	Harteveld, Françoise			
6	UKR	1D	Nazarenko, Olessia			
7	ITA	1D	Burgata, Donata			
8	GBR	1D	Rogers, Michelle	'04:00'	TE	5
9	AUT	1D	Dorfinger, Christine			
10	JPN	1D	Kiya, Yoshie			

9	Lebrun, Céline	'02:17'	P12	10			
	Kolodziejczyk, Marta						
13	Lebrun, Céline						
	Lee, Hyun-Kyung	'04:00'			1		
10	Oliveira, Viviane						
	Lee, Hyun-Kyung	'03:06'	KOS	10			
24	Lee, Hyun-Kyung	'01:10'	ASH	10			
	Kiya, Yoshie						
11	Nazarenko, Olessia						
	Nourmoukamedov, Gouva	'04:00'	P29	7			
14	Rogers, Michelle						
	Kiya, Yoshie	'01:30'	ASH	10			
12	Dorfinger, Christine						
	Kiya, Yoshie	'04:00'	KOS	7			

CLASSEMENT	
1	KOR Lee, Hyun-Kyung
2	JPN Kiya, Yoshie
3	GBR Rogers, Michelle
3	ITA Burgata, Donata

### Repêchage

Perdant 15  
Perdant 16  
Perdant 17  
Perdant 18  
Perdant 19  
Perdant 20  
Perdant 21  
Perdant 22

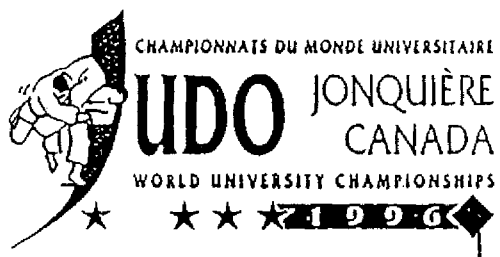
15							
19	Kolodziejczyk, Marta	'04:00'	P29	5			
16	Harteveld, Françoise	'04:00'	P29	7			
	Harteveld, Françoise						
21	Kolodziejczyk, Marta						
	Rogers, Michelle	'04:00'			1		
17	Oliveira, Viviane						
23	Rogers, Michelle						
	Burgata, Donata						
18	Burgata, Donata	'02:52'	P29	10			
	Nazarenko, Olessia						
20	Burgata, Donata	'01:05'	OSA	10			
	Dorfinger, Christine						
22	Burgata, Donata	'04:00'			1		
	Dorfinger, Christine						
	Lebrun, Céline						

Perdant 13

**Récapitulatif de la catégorie / Category Summary**  
**Championnat du monde Universitaire 1996 (Jonquière, QC - 1996/12/10)**  
**Ouvert F.**

Classement Ranking	Nom, prénom Surname, First Name	Grade Rank	Pays Country	Vic./Win		Déf./Lost		Points/Scores				Pénalités/Penalties				Temps / Time			
				#	Pts	#	Pts	I	W	Y	K	Total	H	K	C	S	Total	Total	Moy./Av
Or	Lee, Hyun-Kyung	1D	KOR	4	28	0	0	2	0	0	0	2	0	1	0	0	1	12:16	03:04
Argent	Kiya, Yoshie	1D	JPN	2	17	1	10	1	1	0	0	2	0	0	0	0	0	06:40	02:13
Bronze	Rogers, Michelle	1D	GBR	2	6	1	10	0	0	1	0	1	0	0	0	0	0	09:30	03:10
Bronze	Burgata, Donata	1D	ITA	3	21	1	5	1	0	0	0	1	1	0	0	0	1	11:57	02:59
5	Lebrun, Céline	1D	FRA	1	10	2	2	0	0	0	0	0	1	0	0	0	1	10:17	03:25
5	Kolodziejczyk, Marta	1D	POL	1	5	2	11	0	0	0	0	0	0	0	1	0	1	10:17	03:25
7	Dorfinger, Christine	1D	AUT	0	0	2	17	0	0	0	0	0	0	0	0	0	0	05:05	02:32
7	Harteveld, Francoise	1D	NED	1	7	2	12	0	0	0	0	0	0	1	0	0	1	12:00	04:00
9	Oliveira, Viviane	1D	BRA	0	0	2	17	0	0	0	0	0	0	0	0	0	0	07:06	03:33
9	Nazarenko, Olessia	1D	TKM	0	0	2	17	0	0	0	0	0	0	0	0	0	0	06:52	03:26
																	46:00	03:04	

Nombre de participant: 10



# TEAM \ ÉQUIPE FÉMININS, WOMEN

Tapis 1

