



第十三届世界大学生跆拳道锦标赛

The 13th World University Taekwondo Championships

LIST OF MEDAL WINNERS AND SUBSTITUTES Competition

Division	Weight	Rank	NOC	Name	Date
MALE	-68kg	1	FRA	RAIHAU CHIN	10-Jun-2014
		2	EGY	GHOFRAN ZAKI	10-Jun-2014
		3	MEX	TORRES VAZQUEZ ISAAC RAMON	10-Jun-2014
		3	POL	MICHAL LONIEWSKI	10-Jun-2014
		5	ESP	ALVARO RODRIGUEZ DE PABLO	10-Jun-2014
		5	TUR	OMER RAMAZAN EVEZ	10-Jun-2014
		5	KOR	DONGYUN SHIN	10-Jun-2014
		5	BRA	HENRIQUE IGOR DA SILVA	10-Jun-2014
FEMALE	-57kg	1	JPN	MAYU HAMADA	10-Jun-2014
		2	TPE	CHIA YEN LIN	10-Jun-2014
		3	HUN	EDINA BRIGITTA KOTSIS	10-Jun-2014
		3	CHN	SHAO FENFEN	10-Jun-2014
		5	BRA	CELYDIENE KRISTINA CARNEIRO	10-Jun-2014
		5	TUR	HATICE KUBRA ILGUN	10-Jun-2014
		5	POL	MAGDALENA LEPOROWSKA	10-Jun-2014
		5	KOR	SUJEONG KIM	10-Jun-2014
MALE	-54kg	1	PHI	FRANCIS AARON AGOJO	10-Jun-2014
		2	TUR	IBRAHIM ETHEM PAK	10-Jun-2014
		3	JPN	TAKAYA NAKAGAWA	10-Jun-2014
		3	RUS	SOSLAN BAIMATOV	10-Jun-2014
		5	MGL	BAATARKHUU BOLDBAATAR	10-Jun-2014
		5	USA	JOSEPH AGUON	10-Jun-2014
		5	INA	AHMAD NABIL	10-Jun-2014
		5	KOR	HYUNGEUN CHOI	10-Jun-2014
FEMALE	-46kg	1	KOR	HUIEUN CHO	10-Jun-2014
		2	TPE	MING YEN HUANG	10-Jun-2014
		3	CYP	IRENE PASIOULI	10-Jun-2014
		3	TUR	MERVE YAZICI	10-Jun-2014
		5	USA	SAMERY MORAS	10-Jun-2014
		5	PHI	KORINA PALADIN	10-Jun-2014
		5	ESP	PAULA BENES IBANEZ	10-Jun-2014
		5	BRA	VALERIA RODRIGUES DOS SANTOS	10-Jun-2014

Signature: _____



第十三届世界大学生跆拳道锦标赛

The 13th World University Taekwondo Championships

LIST OF MEDAL WINNERS AND SUBSTITUTES					Competition
Division	Weight	Rank	NOC	Name	Date
MALE	-58kg	1	KOR	UNYEONG CHOI	11-Jun-2014
		2	TPE	I YUAN WEI	11-Jun-2014
		3	JPN	YUMA YAMADA	11-Jun-2014
		3	MEX	GARCIA DE LEON DIEGO	11-Jun-2014
		5	MGL	TUMENBAYAR MOLOM	11-Jun-2014
		5	INA	ONG STEVANUS ARIO SUSENO	11-Jun-2014
		5	POR	RUI BRAGANCA	11-Jun-2014
		5	POL	ERYK RODZIK	11-Jun-2014
FEMALE	-49kg	1	TPE	YU TING HUNG	11-Jun-2014
		2	ESP	JANIRA RIVERA GARCIA	11-Jun-2014
		3	KOR	BOMI KIM	11-Jun-2014
		3	USA	YESSICA WIRYAWAN	11-Jun-2014
		5	TUR	AYSE HAZAL BOYANMIS	11-Jun-2014
		5	HUN	BARBARA DUCZ	11-Jun-2014
		5	CHN	CHEN MEI	11-Jun-2014
		5	JPN	MIYU YAMADA	11-Jun-2014
MALE	-80kg	1	KOR	SANGJUN KANG	11-Jun-2014
		2	BRA	DIEGO RAMOS AZEVEDO	11-Jun-2014
		3	TUR	BURAK OZAN KARACA	11-Jun-2014
		3	USA	JARED REED	11-Jun-2014
		5	PHI	AL CHRISTIAN DELA CRUZ	11-Jun-2014
		5	MEX	VALLES ZAVALA JESUS	11-Jun-2014
		5	CHN	ZHAO PANFENG	11-Jun-2014
		5	TPE	WEI TING LIU	11-Jun-2014
FEMALE	-67kg	1	TPE	CHIA CHIA CHUANG	11-Jun-2014
		2	CHN	GUO YUNFEI	11-Jun-2014
		3	THA	CASSANDRA HALLER	11-Jun-2014
		3	KOR	HEEYOUNG JANG	11-Jun-2014
		5	RUS	ANASTASIIA DIDENKO	11-Jun-2014
		5	POL	KATARZYNA LIS	11-Jun-2014
		5	USA	BLANCA QUEZADA	11-Jun-2014
		5	TUR	IREM YAMAN	11-Jun-2014

Signature: _____



第十三届世界大学生跆拳道锦标赛

The 13th World University Taekwondo Championships

LIST OF MEDAL WINNERS AND SUBSTITUTES					Competition
Division	Weight	Rank	NOC	Name	Date
MALE	-74kg	1	KOR	JEONGKYU LEE	12-Jun-2014
		2	THA	PEERATHEP SILA-ON	12-Jun-2014
		3	CHN	YU YIMIN	12-Jun-2014
		3	USA	JAYSEN ISHIDA	12-Jun-2014
		5	NOR	BENDIK FAGERBEKK ØYAN	12-Jun-2014
		5	BRA	NICKOLLAS SOUZA RIBEIRO	12-Jun-2014
		5	CYP	CHRISTOS PILAVAKIS	12-Jun-2014
		5	RUS	MAGOMED MAGOMEDOV	12-Jun-2014
FEMALE	-62kg	1	TPE	PEI YING WU	12-Jun-2014
		2	CHN	XUE YANHONG	12-Jun-2014
		3	THA	RUNGRAWEE KURASA	12-Jun-2014
		3	ESP	DIANA VAZQUEZ VALLES	12-Jun-2014
		5	MEX	MACEDO CALIXTO ANA KAREN	12-Jun-2014
		5	PHI	PATRICIA FRANCESCA GONZALEZ	12-Jun-2014
		5	TUR	ESRA OZDOGAN	12-Jun-2014
		5	USA	EMILIA MORROW	12-Jun-2014
MALE	+87kg	1	TUR	SABIT BUGRAHAN KARAKAS	12-Jun-2014
		2	EGY	MOHAMED AYMAN	12-Jun-2014
		3	CYP	DEMETRIS MOUSTAKAS	12-Jun-2014
		3	POL	PIOTR HATOWSKI	12-Jun-2014
		5	CHN	ZHANG BAOKUI	12-Jun-2014
		5	TPE	CHIH HAN WEI	12-Jun-2014
		5	MEX	MARTINEZ JOSE DE JESUS	12-Jun-2014
		5	RUS	ALEXANDER LOBANOV	12-Jun-2014
FEMALE	+73kg	1	CHN	LI HAILING	12-Jun-2014
		2	TUR	NAFIA KUS	12-Jun-2014
		3	KOR	BICHNA KIM	12-Jun-2014
		3	BRA	HELLORAYN ZATTA OAKES PAIVA	12-Jun-2014
		5	TPE	SUNG CHIANG YEH	12-Jun-2014
		5	POL	ANIKA GODEL	12-Jun-2014
		5	RUS	GUZEL KURBANOVA	12-Jun-2014
		5	MEX	REYES ARIAS ANA CECILIA	12-Jun-2014

Signature: _____



第十三届世界大学生跆拳道锦标赛

The 13th World University Taekwondo Championships

LIST OF MEDAL WINNERS AND SUBSTITUTES

Competition

Division	Weight	Rank	NOC	Name	Date
MALE	-87kg	1	KOR	YONGHWAN CHO	13-Jun-2014
		2	CHN	JIN HAICHAO	13-Jun-2014
		3	BRA	LUCAS FERREIRA DE OLIVEIRA	13-Jun-2014
		3	THA	AVIT PUISALEE	13-Jun-2014
		5	EGY	KARIM SHAFIEK	13-Jun-2014
		5	TPE	YI HSIN CHIEN	13-Jun-2014
		5	USA	WILLIAM CONNICK	13-Jun-2014
		5	TUR	BURAK ESKI	13-Jun-2014
FEMALE	-73kg	1	USA	JACQUELINE GALLOWAY	13-Jun-2014
		2	TPE	YANN YEU CHEN	13-Jun-2014
		3	KOR	WONJIN LEE	13-Jun-2014
		3	FRA	MAEVA MELLIER	13-Jun-2014
		5	CHN	MIAO SIMIN	13-Jun-2014
		5	ESP	CRISTINA AULLO	13-Jun-2014
		5	TUR	SULE YILMAZ	13-Jun-2014
		5	SWE	SARA ZEDERFELDT	13-Jun-2014
MALE	-63kg	1	KOR	MINSUNG KIM	13-Jun-2014
		2	EGY	YOUSSEF ALY	13-Jun-2014
		3	THA	SORNSART POOLPONG	13-Jun-2014
		3	USA	CHASE GRAHAM	13-Jun-2014
		5	MGL	TEMUUJIN PUREVJAV	13-Jun-2014
		5	MEX	RAMIREZ ALAMZA ALEXIS	13-Jun-2014
		5	JPN	YASUHIRO HAMADA	13-Jun-2014
		5	GER	VOLKAN CELIK	13-Jun-2014
FEMALE	-53kg	1	TPE	YUN WEN HUANG	13-Jun-2014
		2	THA	SARITA PHONGSRI	13-Jun-2014
		3	RUS	ANASTASIIA LOZHKINA	13-Jun-2014
		3	NOR	JANIKE LAI	13-Jun-2014
		5	KOR	HAKYONG IM	13-Jun-2014
		5	OMA	YUSRA AL SHOUKRI	13-Jun-2014
		5	CYP	DESPINA PILAVAKI	13-Jun-2014
		5	TUR	SELEN DOGER	13-Jun-2014

Signature: _____



第十三届世界大学生跆拳道锦标赛

The 13th World University Taekwondo Championships

Recognized Poomsae Individual M Under 27

Final Results

Rank	No	NOC	NAME	Score	Total	Pre	Acc	G.1st	G.2nd
1	7	KOR	HANDONG YUN	7.966	39.6	23.1	16.5	7.966	7.966
2	8	CHN	ZHU YUXIANG	7.884	39.7	23	16.7	7.9	7.867
3	6	INA	MAULANA HAIDIR	7.634	37.9	21.85	16.05	7.667	7.6
3	5	THA	KANAWAT SUKCHAROEN	7.384	36.95	21.35	15.6	7.334	7.434
5	1	PHI	VIDAL MARVIN GABRIEL	7.35	36.95	21.25	15.7	7.233	7.466
5	4	TPE	CHU SHENG LU	7.284	36.7	21	15.7	7.2	7.367
5	2	USA	KODY HAN	7.167	36.1	20.6	15.5	7.167	7.166
5	3	AUS	HYUN WOONG YANG	7.134	35.7	20.7	15	7.167	7.1

Signature: _____



第十三届世界大学生跆拳道锦标赛

The 13th World University Taekwondo Championships

Recognized Poomsae Mixed Pair Under 27

Final Results

Rank	No	NOC	NAME	Score	Total	Pre	Acc	G.1st	G.2nd
1	8	CHN	ZHU YUXIANG XIA YU	7.734	38.5	22.85	15.65	7.767	7.7
2	7	KOR	HYOSEOK CHOI YEOWON GWAK	7.634	38.45	22.6	15.85	7.6	7.667
3	4	TPE	CHENG GANG LI YI HSUAN CHEN	7.35	36.75	21.7	15.05	7.233	7.466
3	6	THA	KANAWAT SUKCHAROEN SALISA AMNUAYCHAI	7.317	36.5	21.2	15.3	7.3	7.333
5	3	PHI	DUSTIN JACOB MELLA JUVENILE FAYE CRISOSTOMO	7.2	35.9	21.1	14.8	7.166	7.233
5	5	INA	MAULANA HAIDIR DEFIA ROSMANIAR	7.167	36.3	21.45	14.85	7.167	7.167
5	1	AUS	HYUN WOONG YANG JESSICA MORO	7.117	35.7	21.2	14.5	7.067	7.167
5	2	GER	TRIUMF BEHA FRANZISKA SCHNEEGANS	6.617	33.55	20.05	13.5	6.633	6.6

Signature: _____



第十三届世界大学生跆拳道锦标赛

The 13th World University Taekwondo Championships

Recognized Poomsae Team F Under 27

Final Results

Rank	No	NOC	NAME	Score	Total	Pre	Acc	G.1st	G.2nd
1	1	KOR	HANBYEOL KIM etc.	7.867	39.25	23.05	16.2	7.834	7.9
2	5	CHN	XIA YU etc.	7.75	38.7	23	15.7	7.634	7.866
3	7	PHI	JUVENILE FAYE CRISOSTOMO etc.	7.567	37.4	22.4	15	7.533	7.6
3	2	TPE	HSIANG TING CHEN etc.	7.45	37.2	22.25	14.95	7.233	7.667
5	4	USA	MICHELLE CHEN etc.	6.767	33.85	19.65	14.2	6.666	6.867
5	3	AUS	MADDISON HOUSTON etc.	6.734	33.5	19.75	13.75	6.667	6.8
5	6	EGY	SALMA MOKA etc.	6.484	32.2	19.2	13	6.333	6.634

Signature: _____



第十三届世界大学生跆拳道锦标赛

The 13th World University Taekwondo Championships

Recognized Poomsae Team M Under 27

Final Results

Rank	No	NOC	NAME	Score	Total	Pre	Acc	G.1st	G.2nd
1	6	CHN	ZHU YUXIANG etc.	7.8	39.05	23.15	15.9	7.967	7.633
2	5	KOR	YEONGU KIM etc.	7.651	38.2	22.6	15.6	7.734	7.567
3	3	TPE	WEI CHIEH CHANG etc.	7.551	37.55	22.65	14.9	7.534	7.567
3	4	INA	M.FAZZA FITRAH etc.	7.3	36.6	21.8	14.8	7.267	7.333
5	1	PHI	VIDAL MARVIN GABRIEL etc.	7.25	36.05	21.55	14.5	7.2	7.3
5	8	USA	ALBERT JONG etc.	7.084	35.5	20.35	15.15	7.1	7.067
5	2	EGY	ABDALLA MAREY etc.	6.75	33.8	20.05	13.75	6.8	6.7
5	7	AUS	KYLE KNOWLES etc.	6.45	32.15	19.45	12.7	6.5	6.4

Signature: _____



第十三届世界大学生跆拳道锦标赛

The 13th World University Taekwondo Championships

Recognized Poomsae Individual M Under 27

Semi-Final Results

Rank	No	NOC	NAME	Score	Total	Pre	Acc	G.1st	G.2nd
1	5	CHN	ZHU YUXIANG	6.933	34.6	20.2	14.4	7.033	6.833
2	10	KOR	HANDONG YUN	6.867	34.25	19.55	14.7	7.033	6.7
3	8	INA	MAULANA HAIDIR	6.733	33.4	19.2	14.2	6.766	6.7
4	4	THA	KANAWAT SUKCHAROEN	6.667	32.55	18.95	13.6	6.733	6.6
5	1	TPE	CHU SHENG LU	6.567	32.75	18.95	13.8	6.5	6.634
6	3	AUS	HYUN WOONG YANG	6.3	31.45	18.4	13.05	6.167	6.433
7	2	USA	KODY HAN	6.217	31.25	17.9	13.35	6.166	6.267
8	9	PHI	VIDAL MARVIN GABRIEL	6.117	30.65	18.05	12.6	6.333	5.9
9	11	EGY	SHEHABELDIN ANTER	5.9	29.25	17.3	11.95	5.967	5.833
10	6	GER	TRIUMF BEHA	5.85	29.2	17.55	11.65	6	5.7
11	7	POL	KAMIL ZABOST	5.133	25.75	15.95	9.8	5.233	5.033

Signature: _____



第十三届世界大学生跆拳道锦标赛

The 13th World University Taekwondo Championships

Recognized Poomsae Mixed Pair Under 27

Semi-Final Results

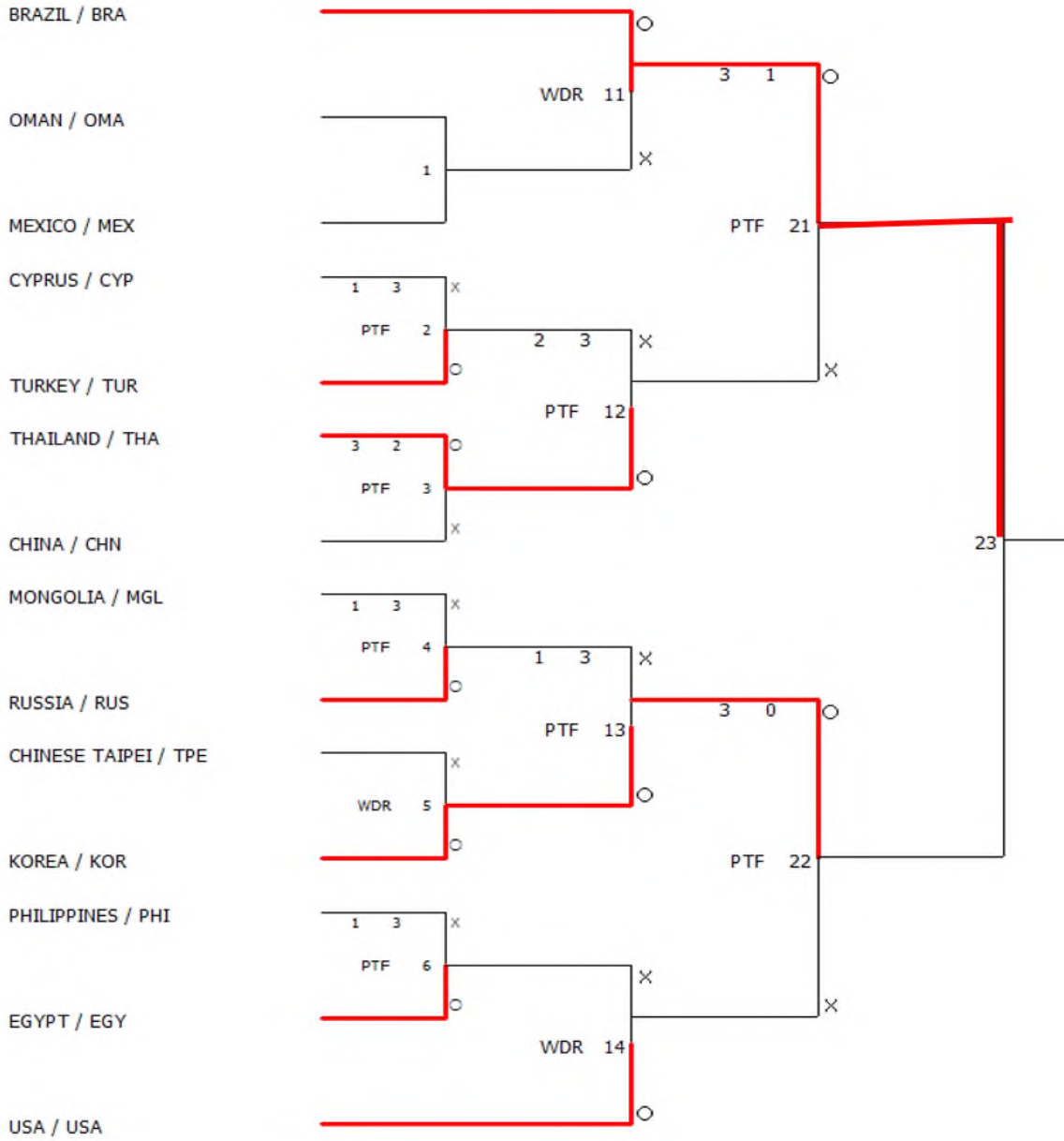
Rank	No	NOC	NAME	Score	Total	Pre	Acc	G.1st	G.2nd
1	1	CHN	ZHU YUXIANG XIA YU	7.583	37.85	22.15	15.7	7.5	7.666
2	10	KOR	HYOSEOK CHOI YEOWON GWAK	7.384	36.65	21.7	14.95	7.267	7.5
3	4	THA	KANAWAT SUKCHAROEN SALISA AMNUAYCHAI	7.117	35.5	21.1	14.4	7.1	7.133
4	5	INA	MAULANA HAIDIR DEFIA ROSMANIAR	6.95	34.95	20.8	14.15	6.866	7.033
5	2	TPE	CHENG GANG LI YI HSUAN CHEN	6.9	34.75	20.7	14.05	6.633	7.166
6	6	PHI	DUSTIN JACOB MELLA JUVENILE FAYE CRISOSTOMO	6.85	34.3	20.55	13.75	6.7	7
7	9	GER	TRIUMF BEHA FRANZISKA SCHNEEGANS	6.634	33.05	19.35	13.7	6.367	6.9
8	8	AUS	HYUN WOONG YANG JESSICA MORO	6.617	33	19.9	13.1	6.533	6.7

Signature: _____



第十三届世界大学生跆拳道锦标赛

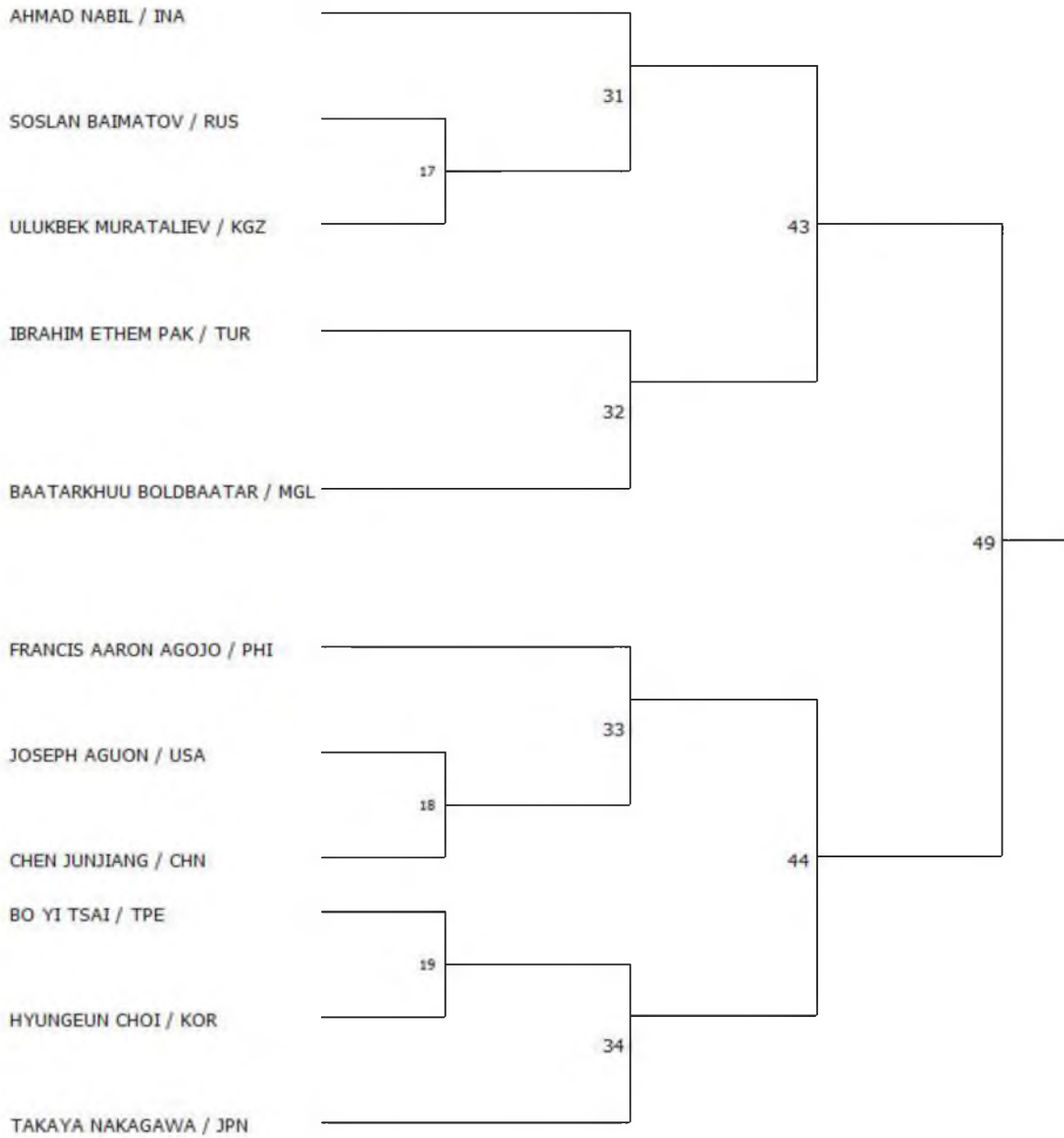
The 13th World University Taekwondo Championships Team / Male



Signature: _____



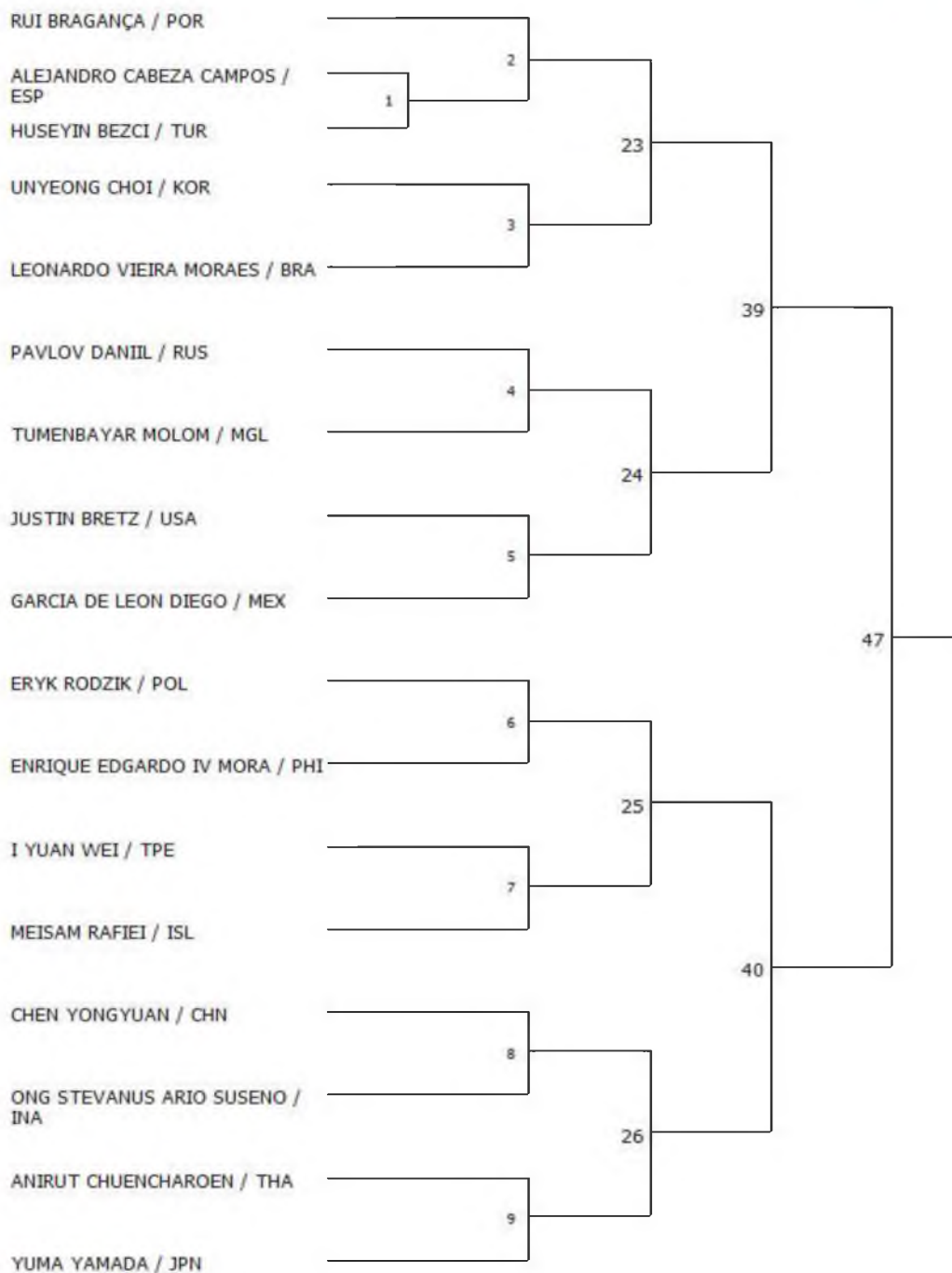
The 13th World University Taekwondo Championship
Male/-54kg



Signature: _____



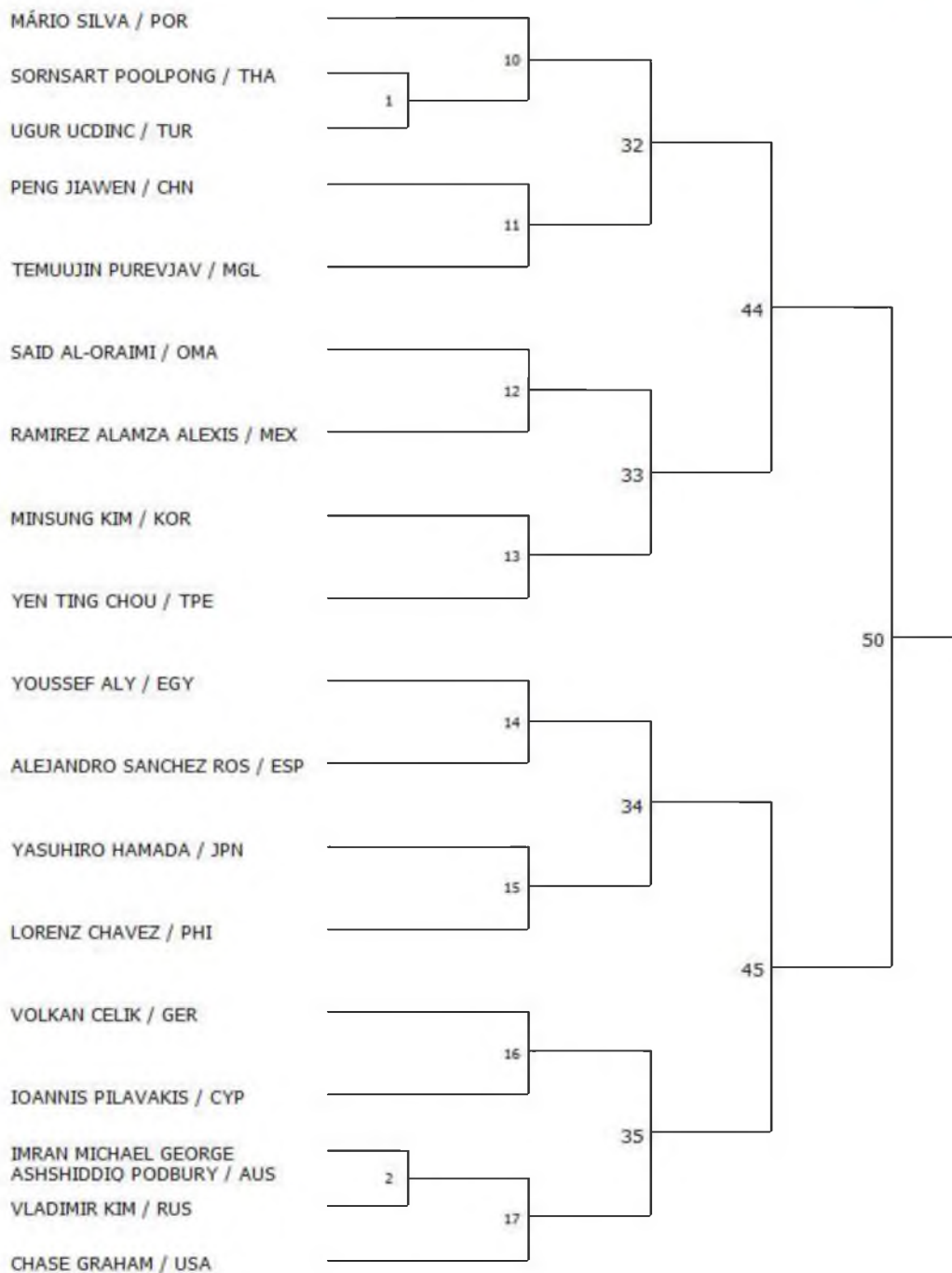
The 13th World University Taekwondo Championship
Male/-58kg



Signature: _____



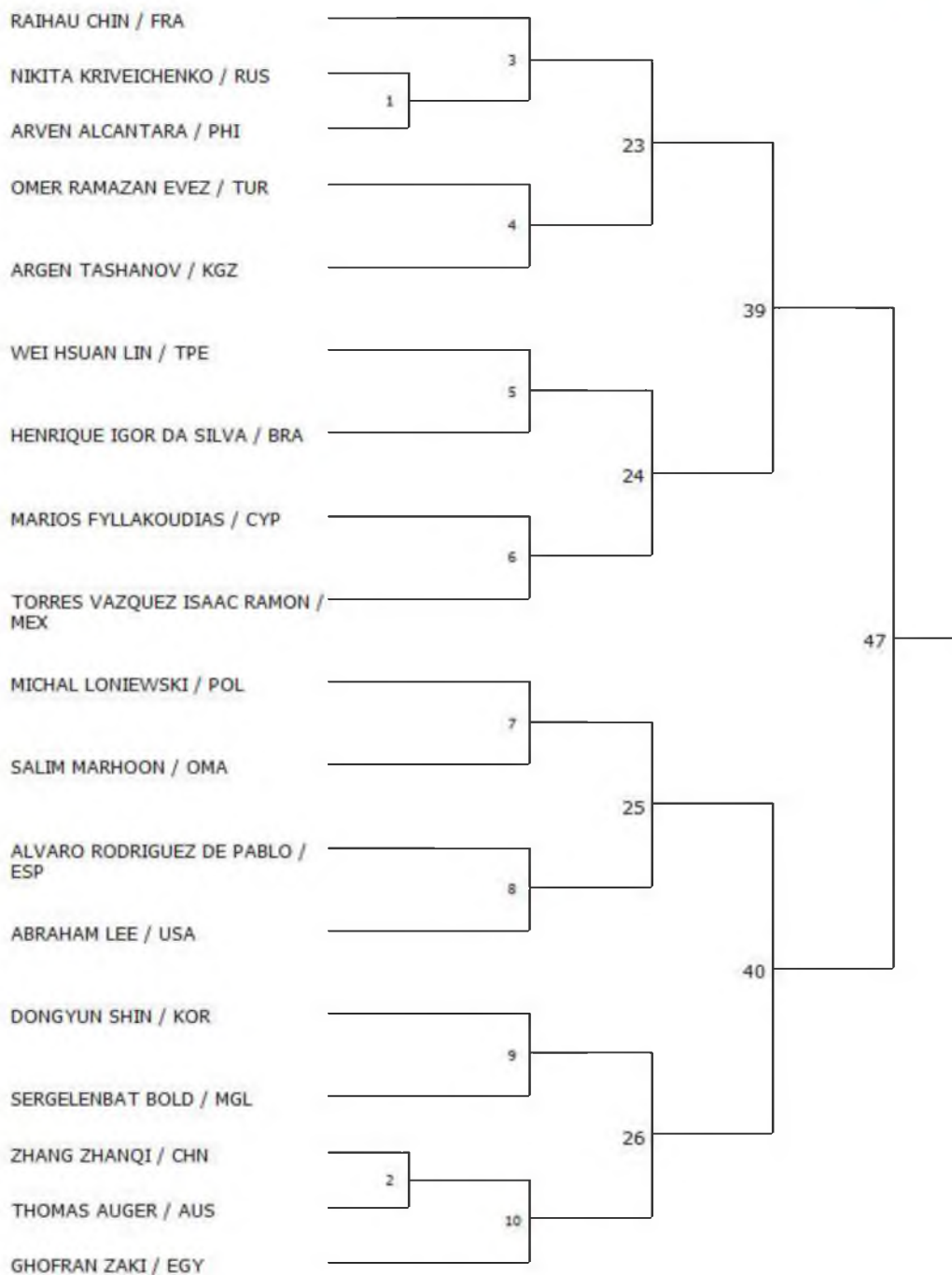
The 13th World University Taekwondo Championship
Male/-63kg



Signature: _____



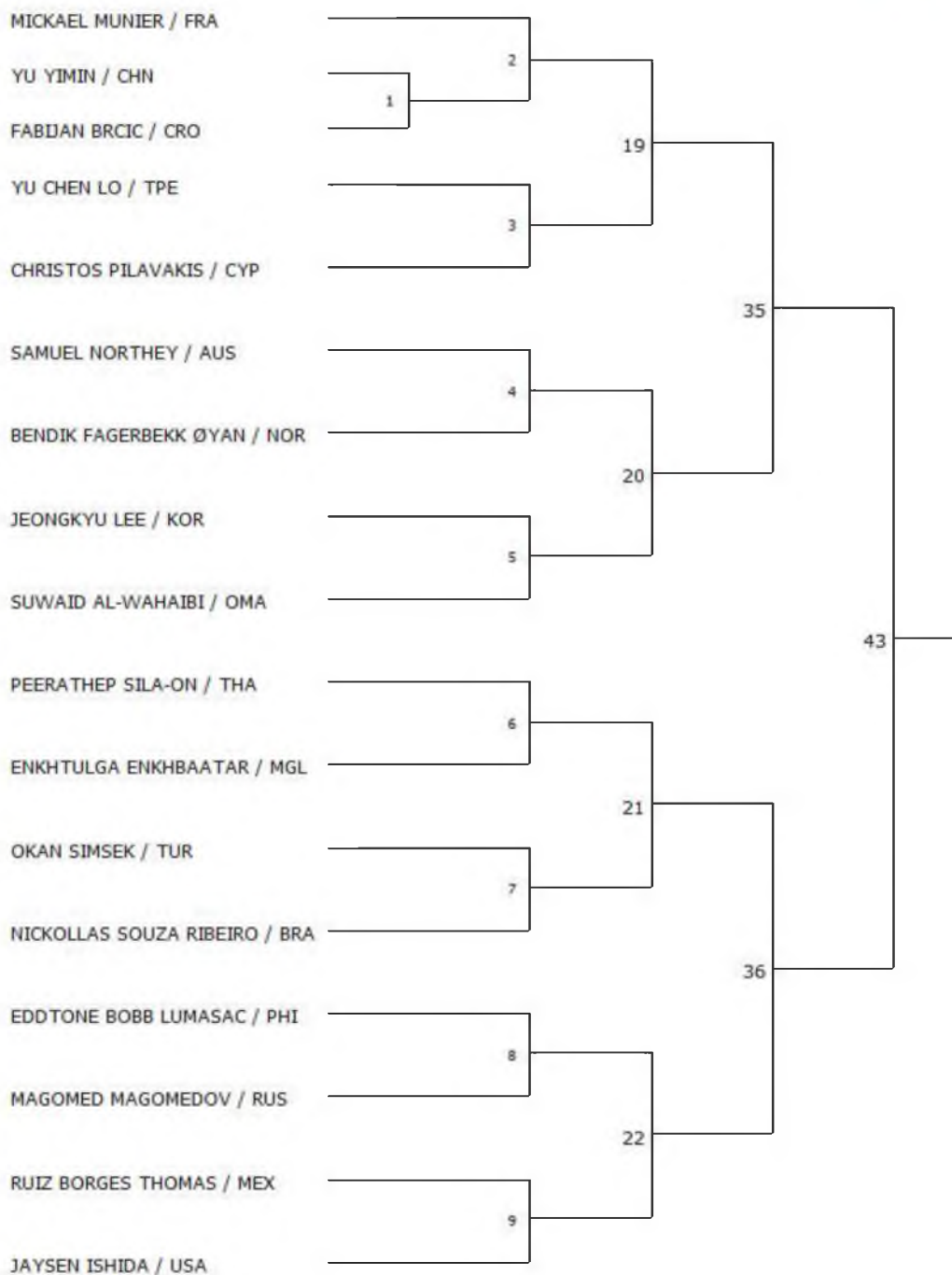
The 13th World University Taekwondo Championship
Male/-68kg



Signature: _____



The 13th World University Taekwondo Championship
Male/-74kg



Signature: _____



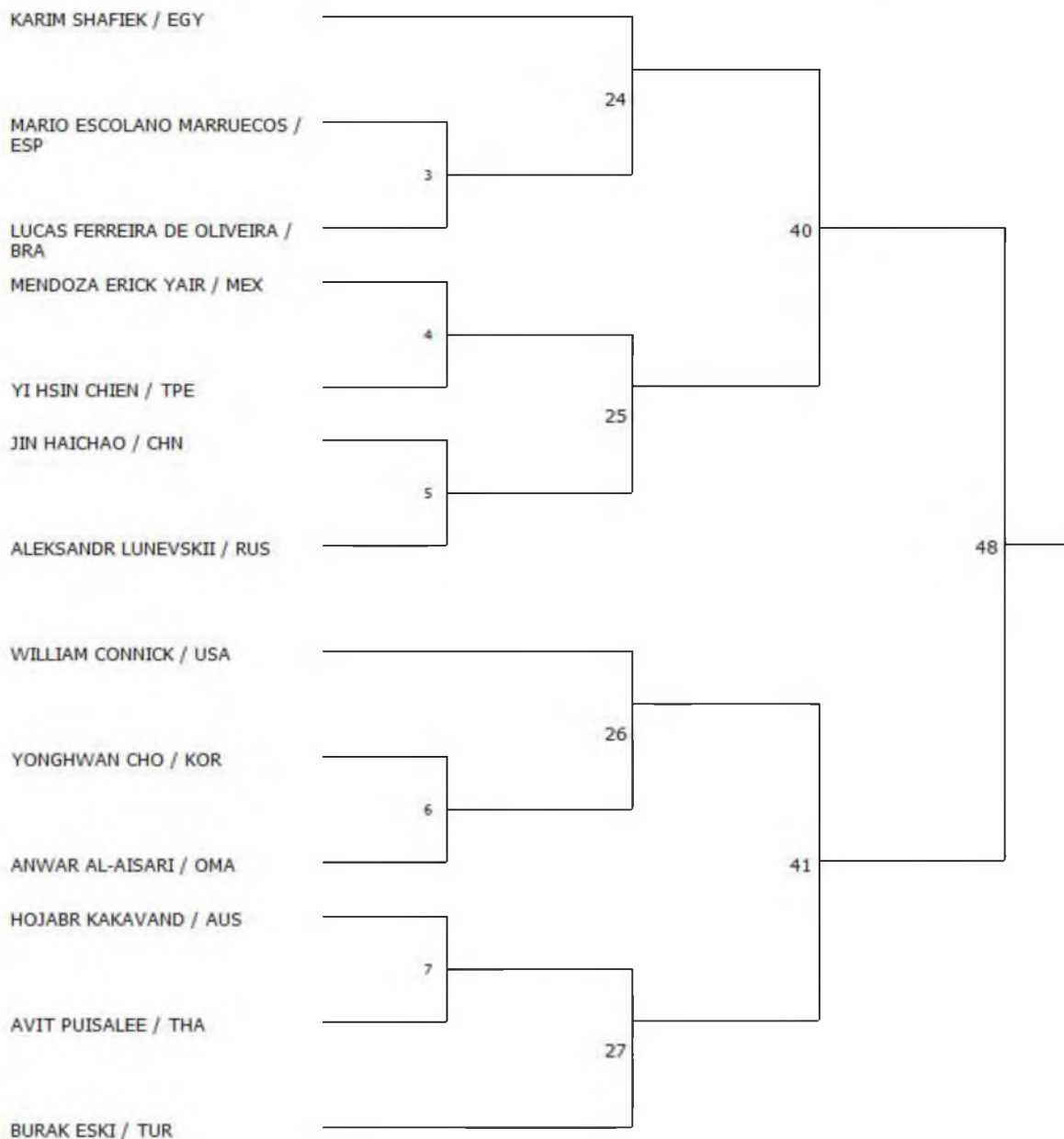
The 13th World University Taekwondo Championship
Male/-80kg



Signature: _____



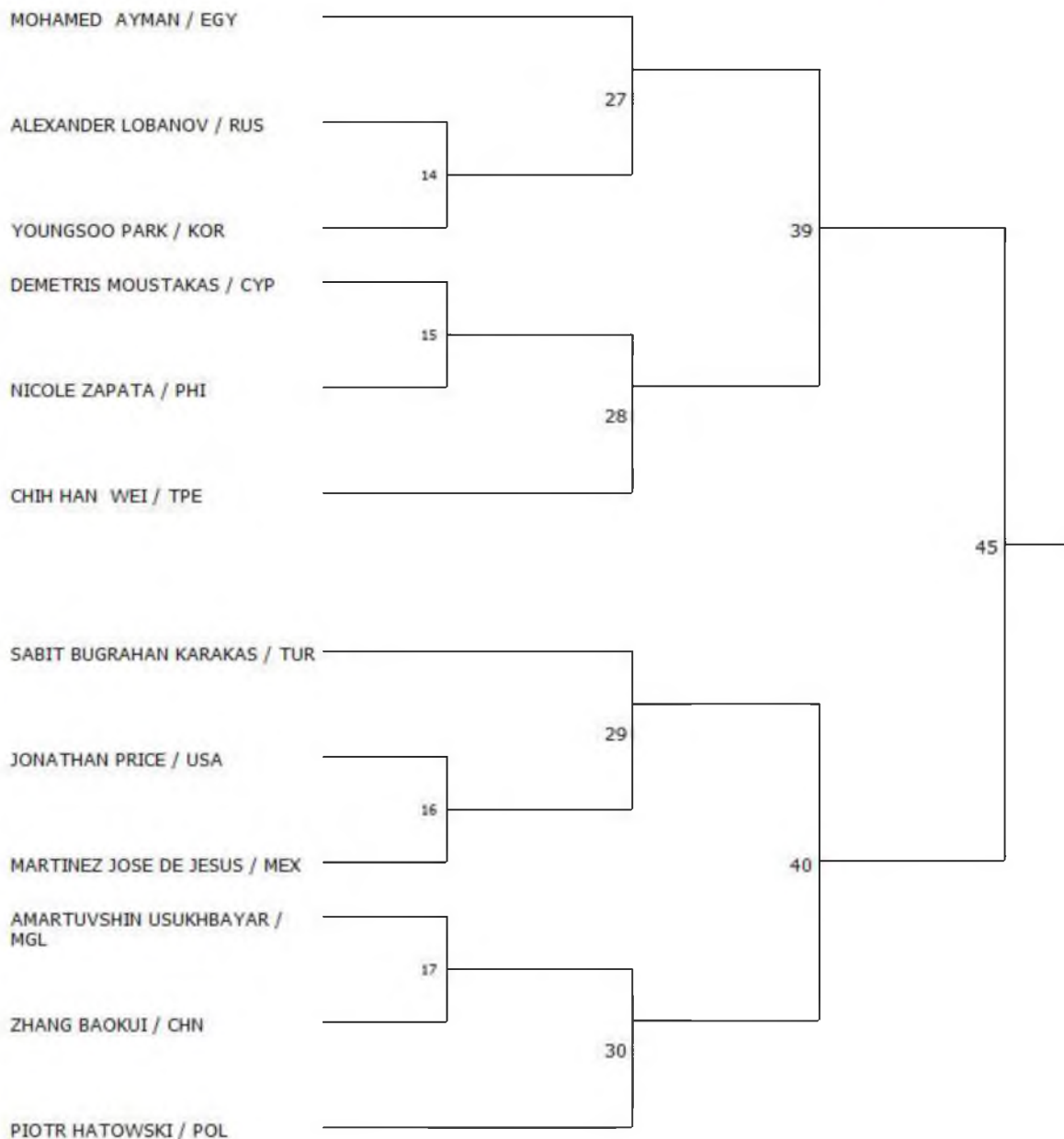
The 13th World University Taekwondo Championship
Male/-87kg



Signature: _____



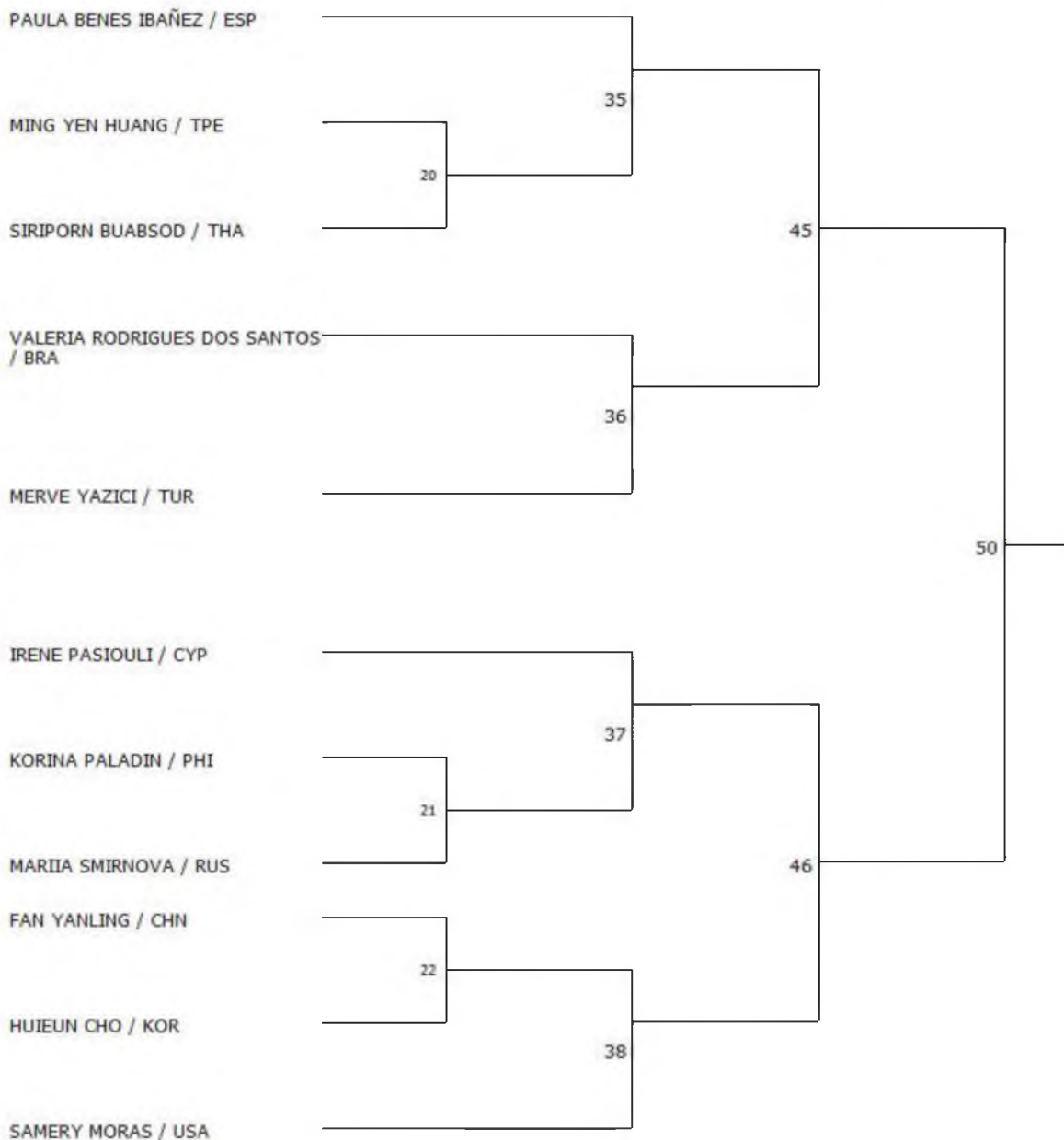
The 13th World University Taekwondo Championship
Male/+87kg



Signature: _____



The 13th World University Taekwondo Championship
Female/-46kg



Signature: _____



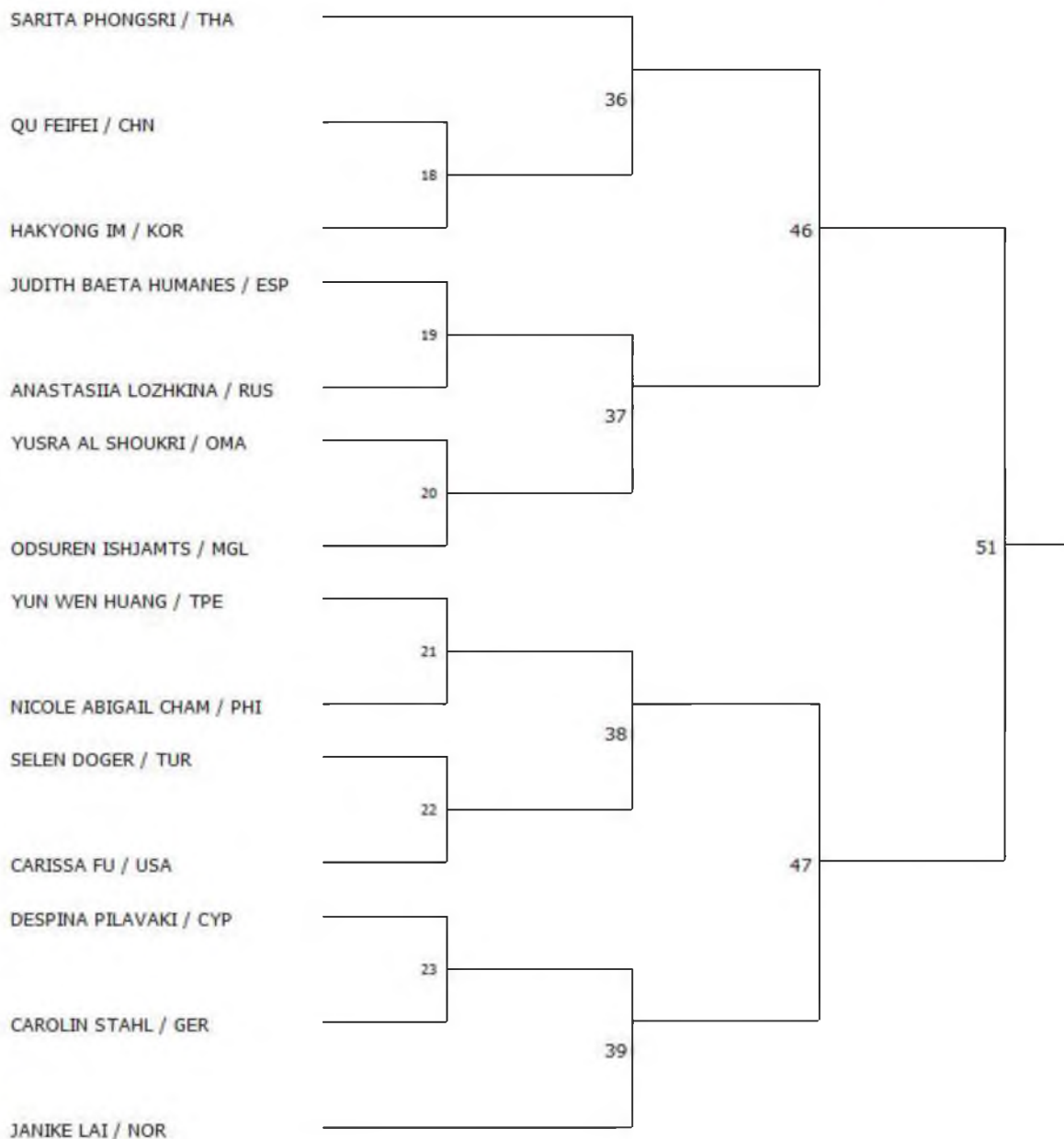
The 13th World University Taekwondo Championship
Female/-49kg



Signature: _____



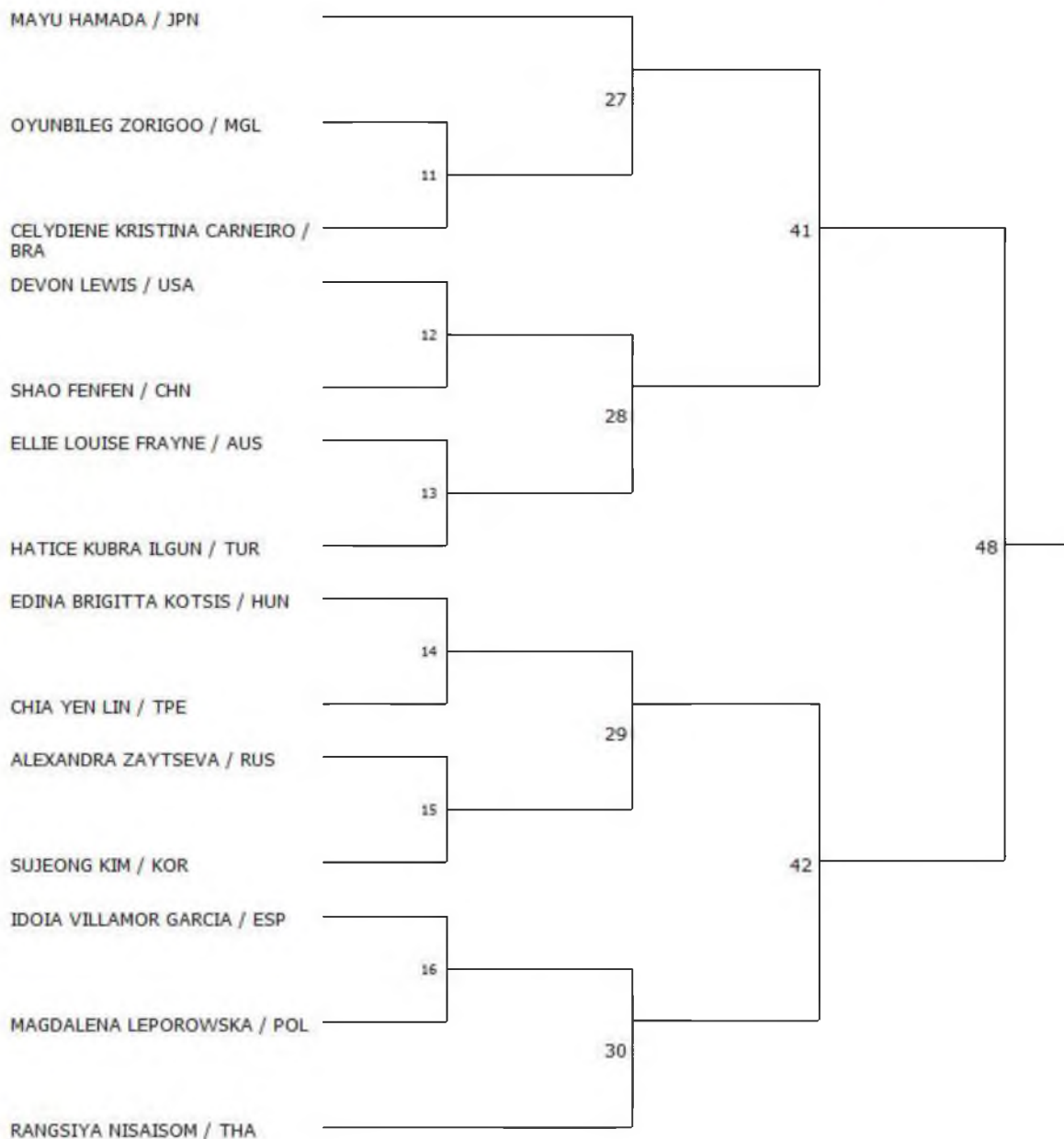
The 13th World University Taekwondo Championship
Female/-53kg



Signature: _____



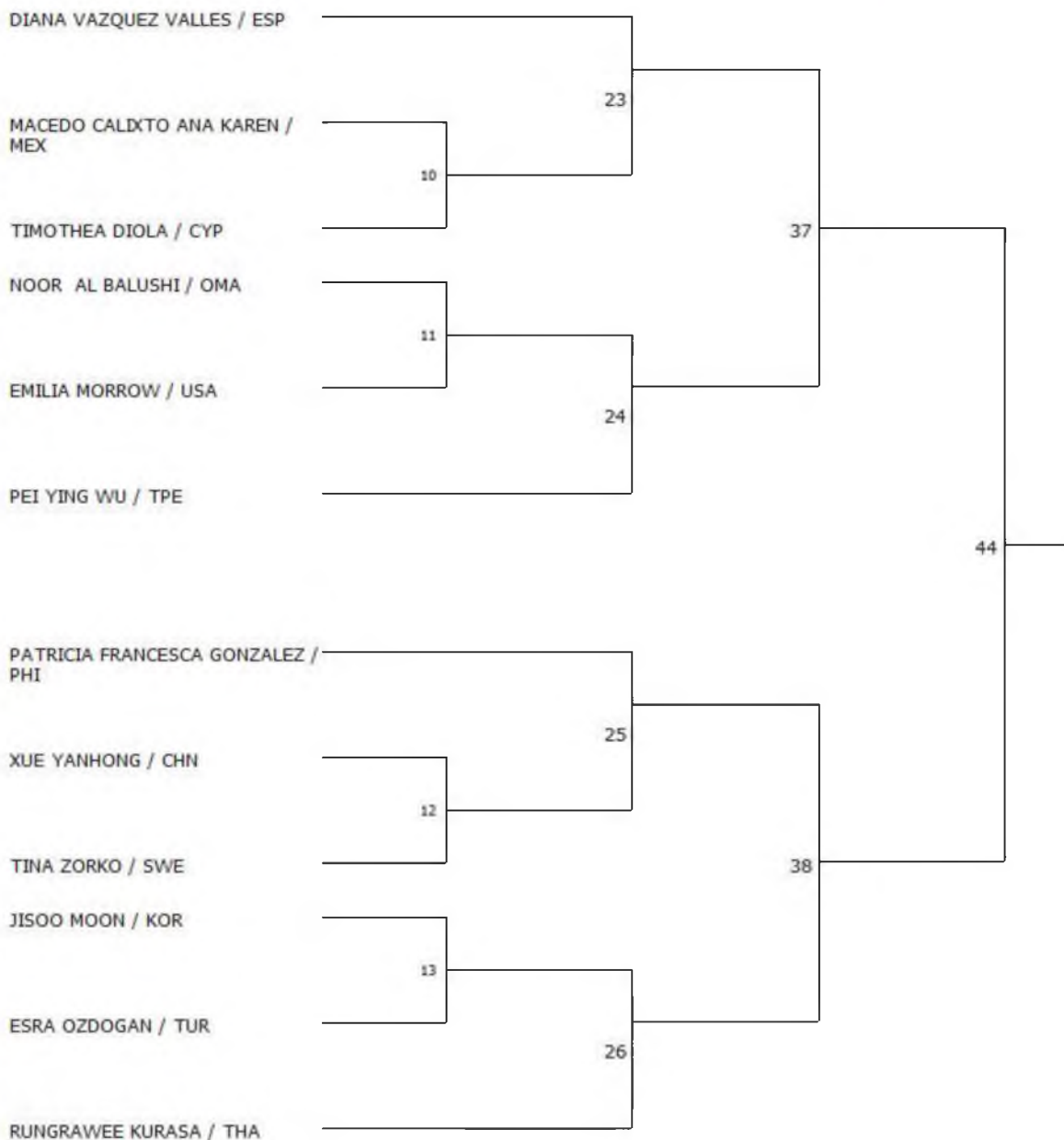
The 13th World University Taekwondo Championship
Female/-57kg



Signature: _____



The 13th World University Taekwondo Championship
Female/-62kg



Signature: _____



The 13th World University Taekwondo Championship
Female/-67kg



Signature: _____



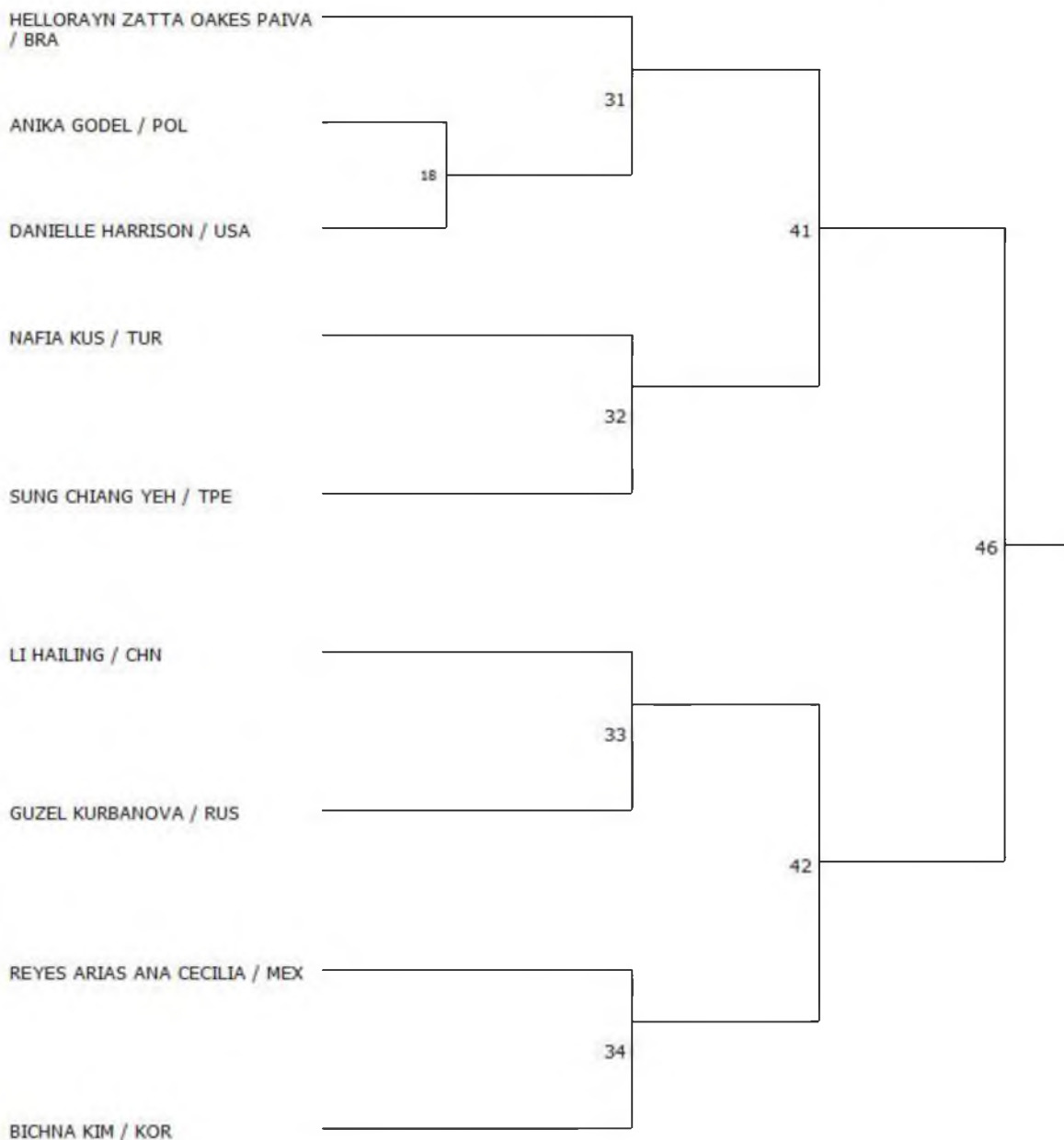
The 13th World University Taekwondo Championship
Female/-73kg



Signature: _____



The 13th World University Taekwondo Championship
Female/+73kg



Signature: _____



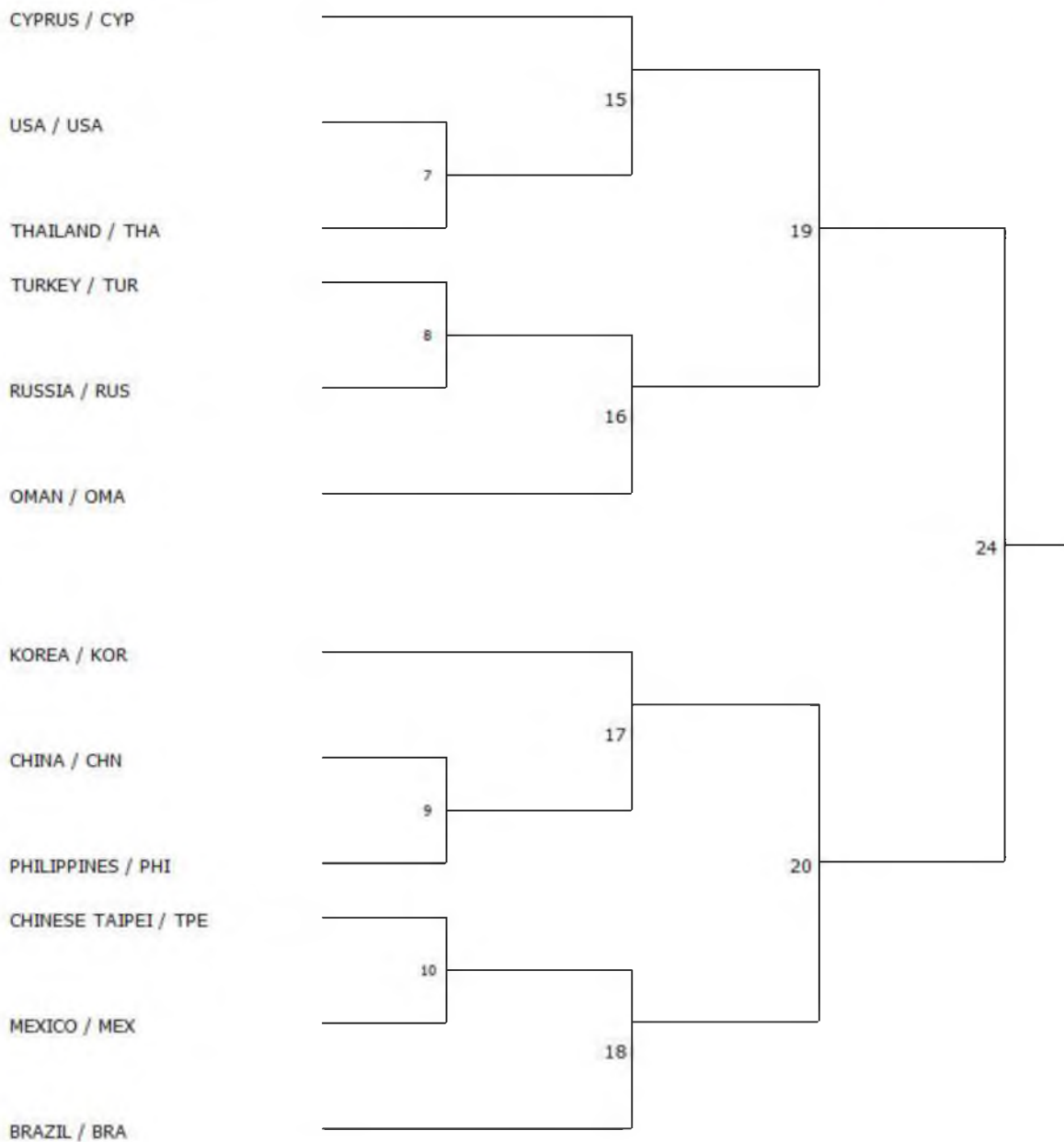
The 13th World University Taekwondo Championship
Male/Team 5:5



Signature: _____



The 13th World University Taekwondo Championship
Female/Team 5:5

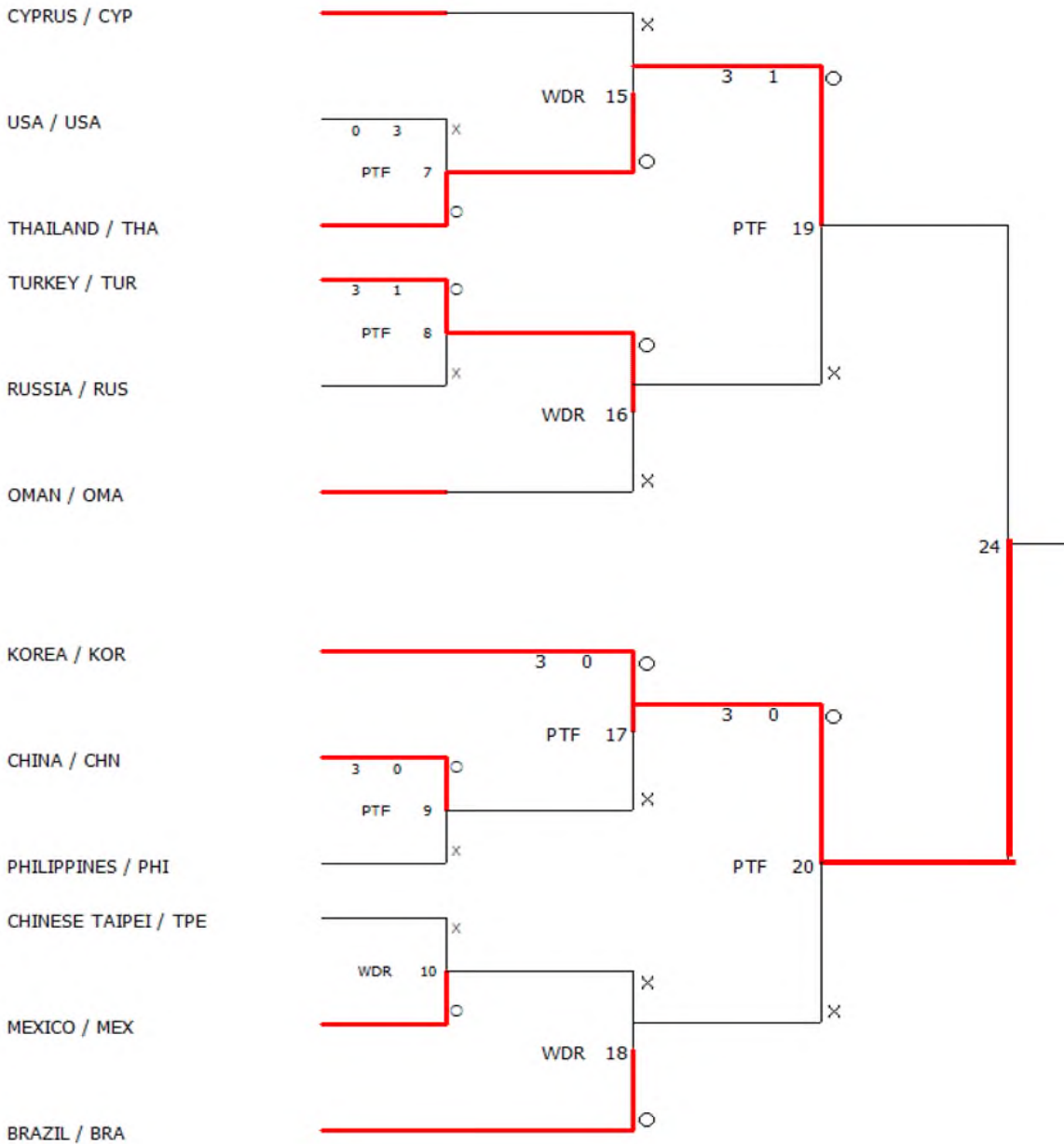


Signature: _____



第十三届世界大学生跆拳道锦标赛

The 13th World University Taekwondo Championships Team / Female

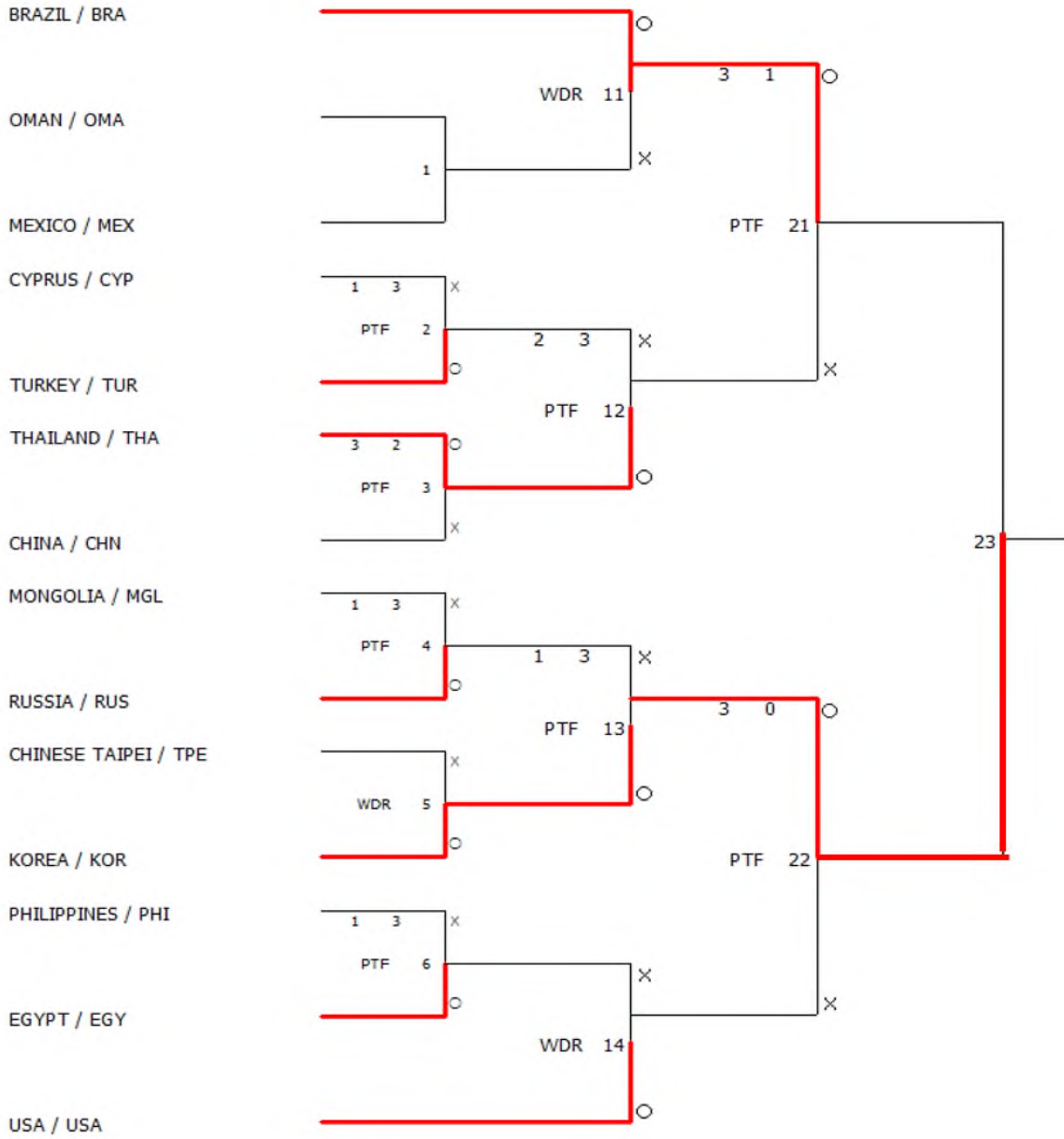


Signature: _____



第十三届世界大学生跆拳道锦标赛

The 13th World University Taekwondo Championships Team / Male



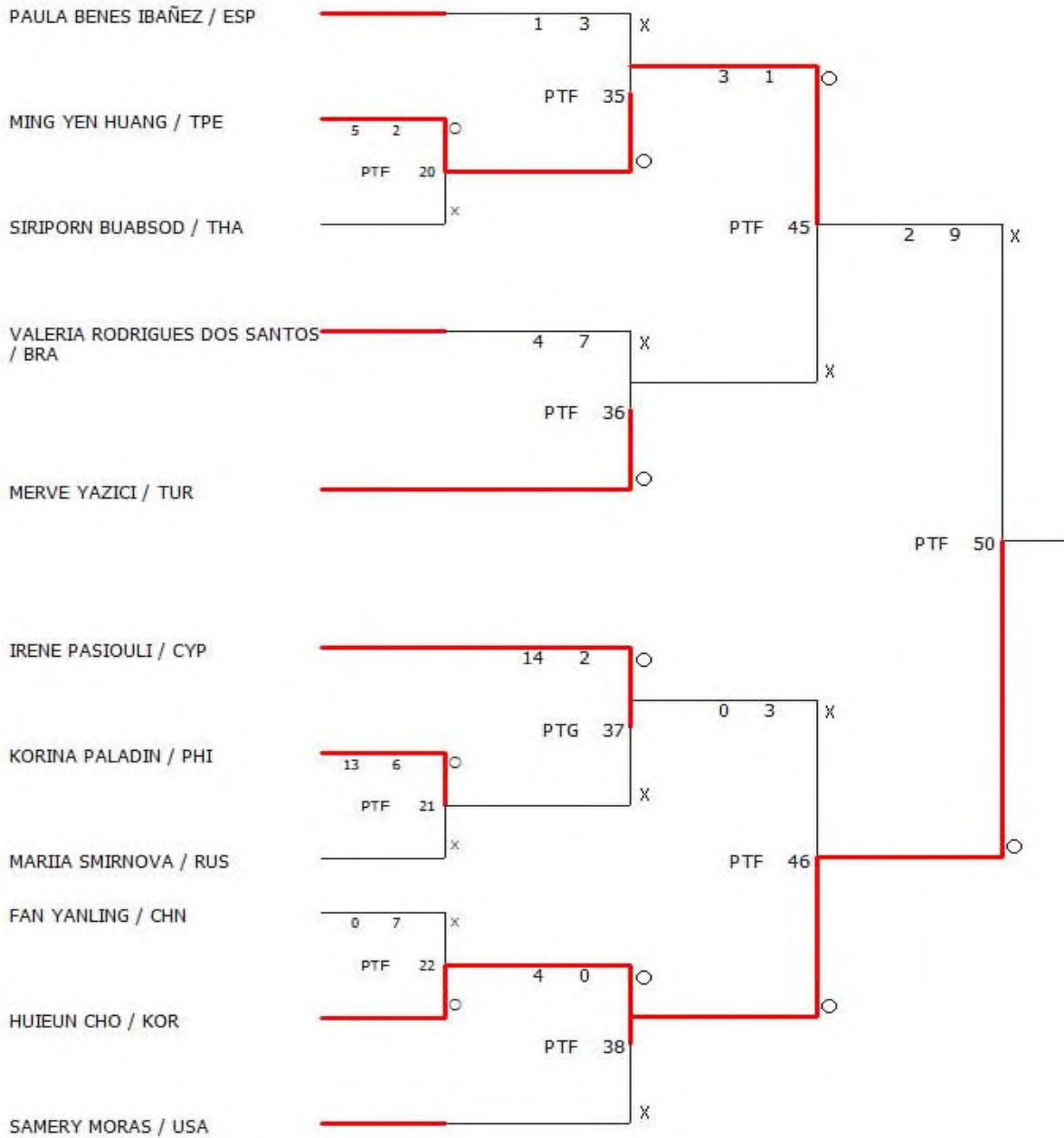
Signature: _____



第十三届世界大学生跆拳道锦标赛

The 13th World University Taekwondo Championships

Female/-46kg

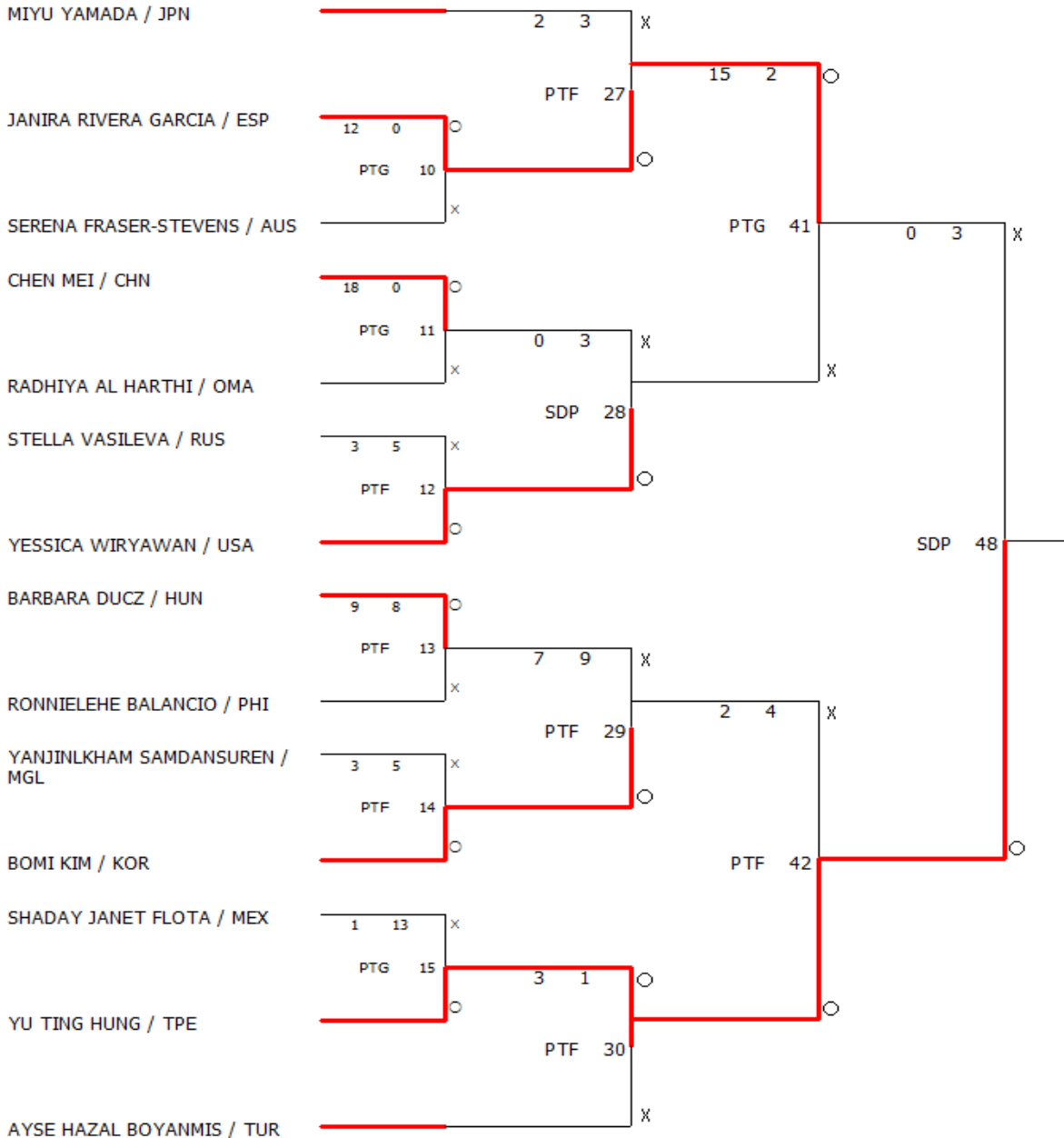


Signature: _____



第十三届世界大学生跆拳道锦标赛

The 13th World University Taekwondo Championships
Female/-49kg



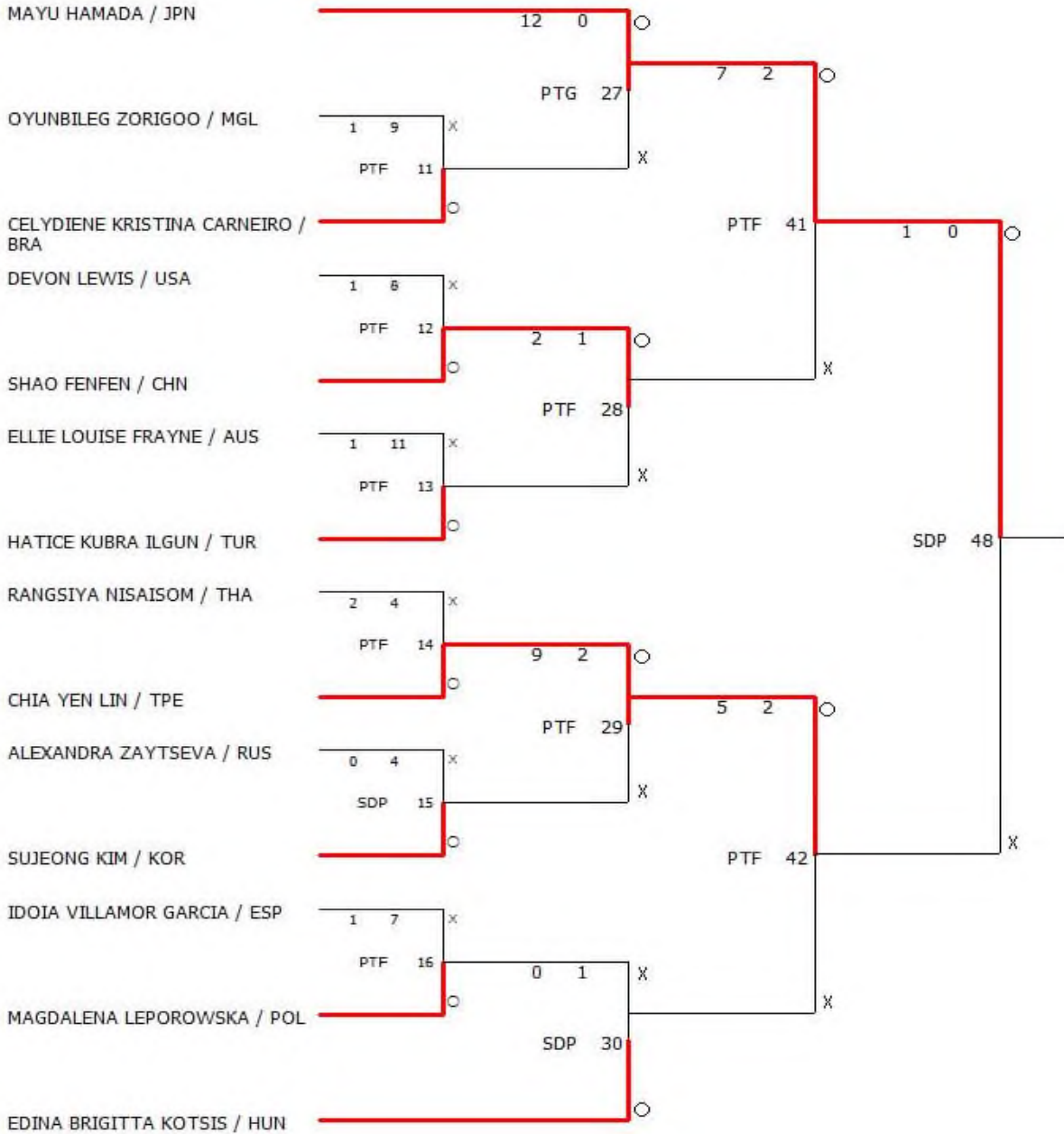
Signature: _____



第十三届世界大学生跆拳道锦标赛

The 13th World University Taekwondo Championships

Female/-57kg

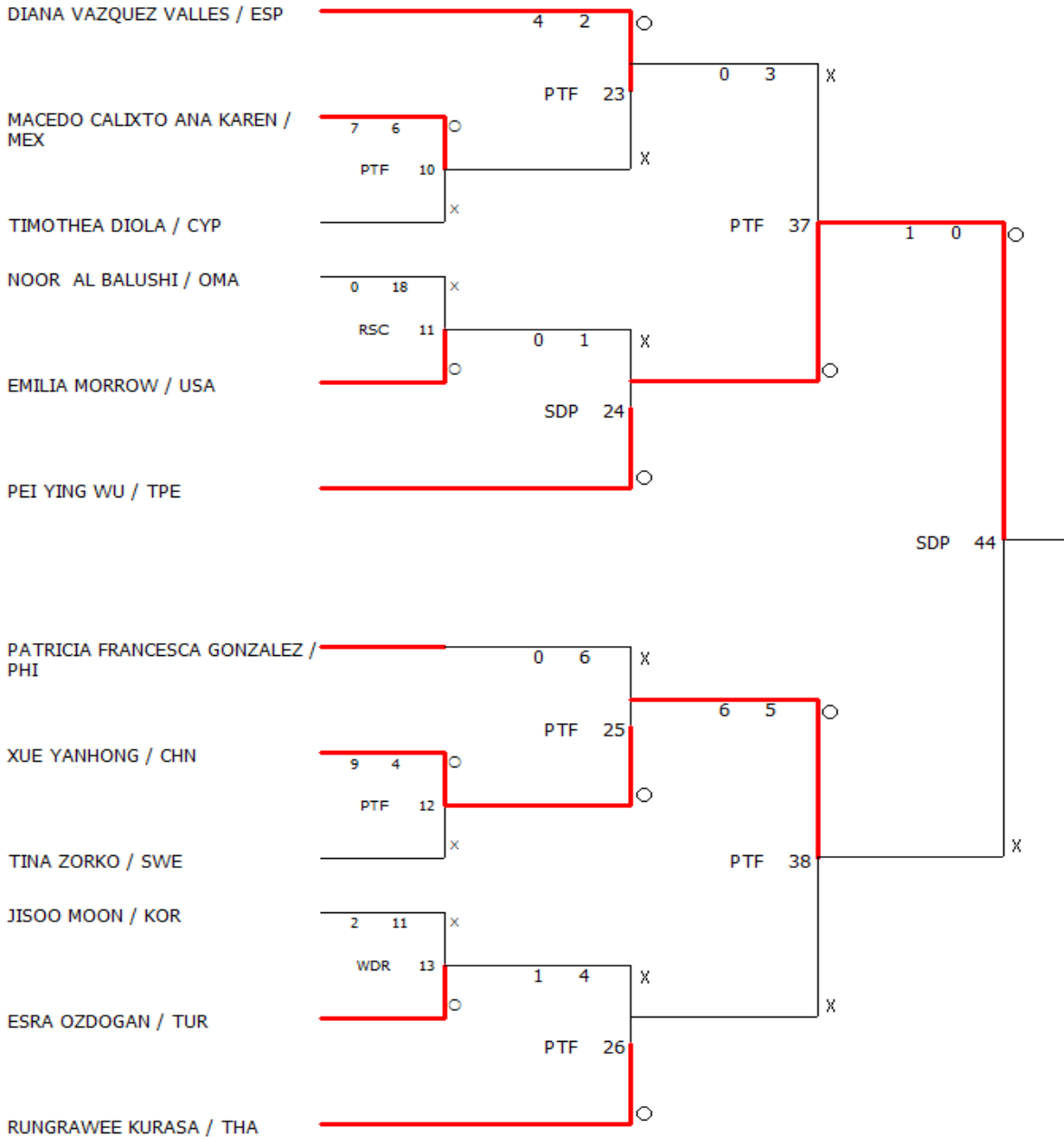


Signature: _____



第十三届世界大学生跆拳道锦标赛

The 13th World University Taekwondo Championships
Female/-62kg

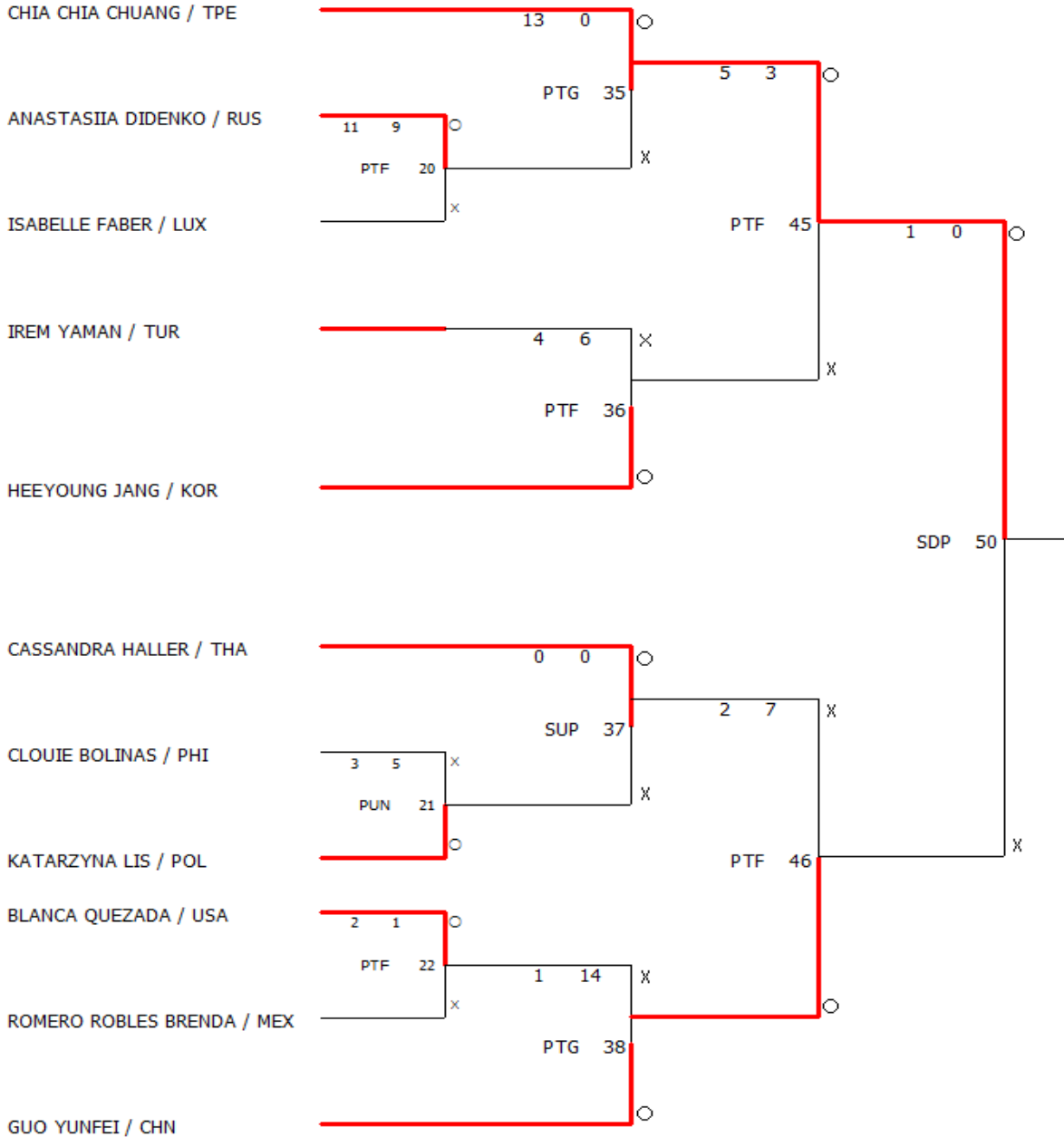


Signature: _____



第十三届世界大学生跆拳道锦标赛

The 13th World University Taekwondo Championships
Female/-67kg

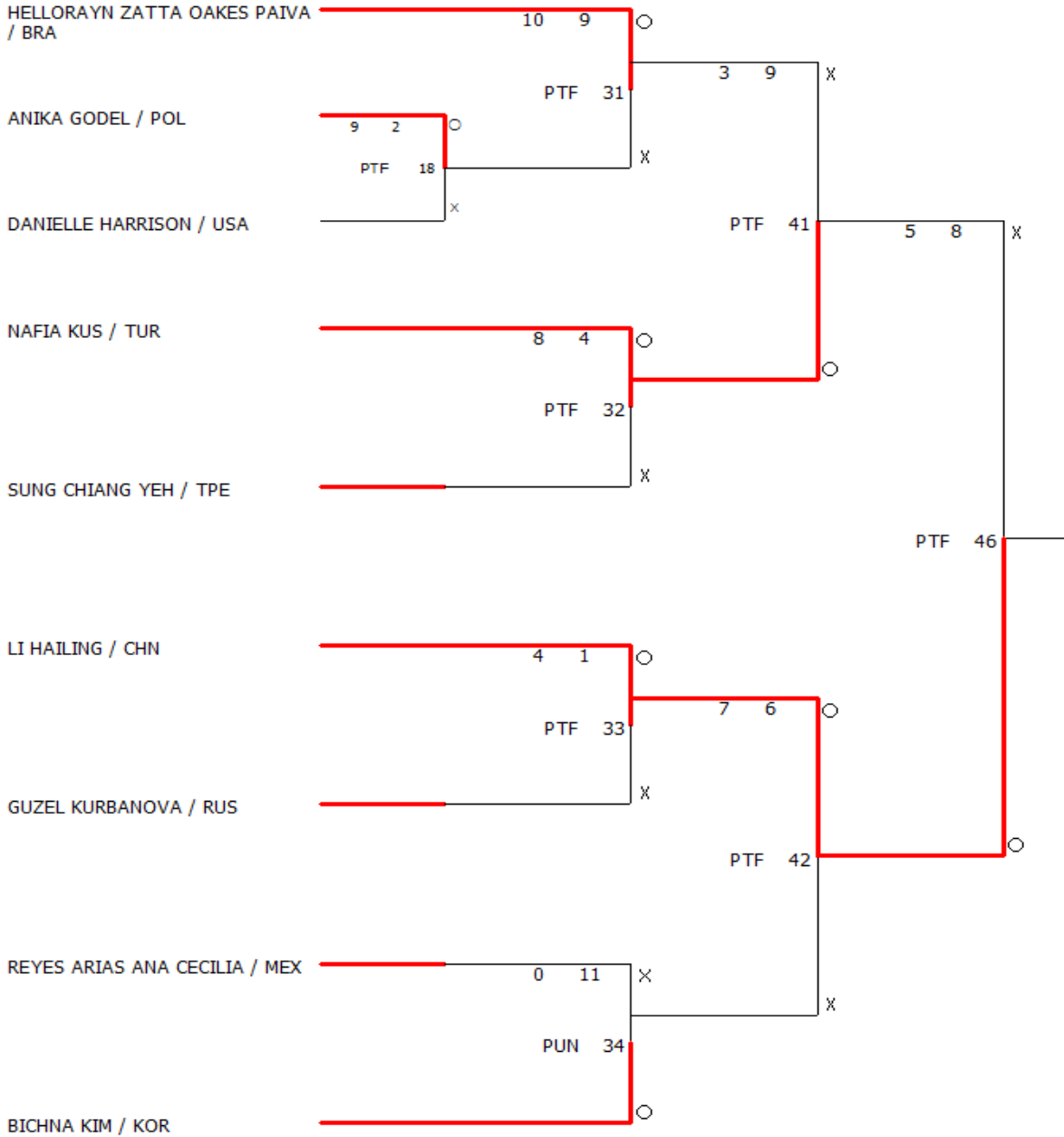


Signature: _____



第十三届世界大学生跆拳道锦标赛

The 13th World University Taekwondo Championships
Female/+73kg



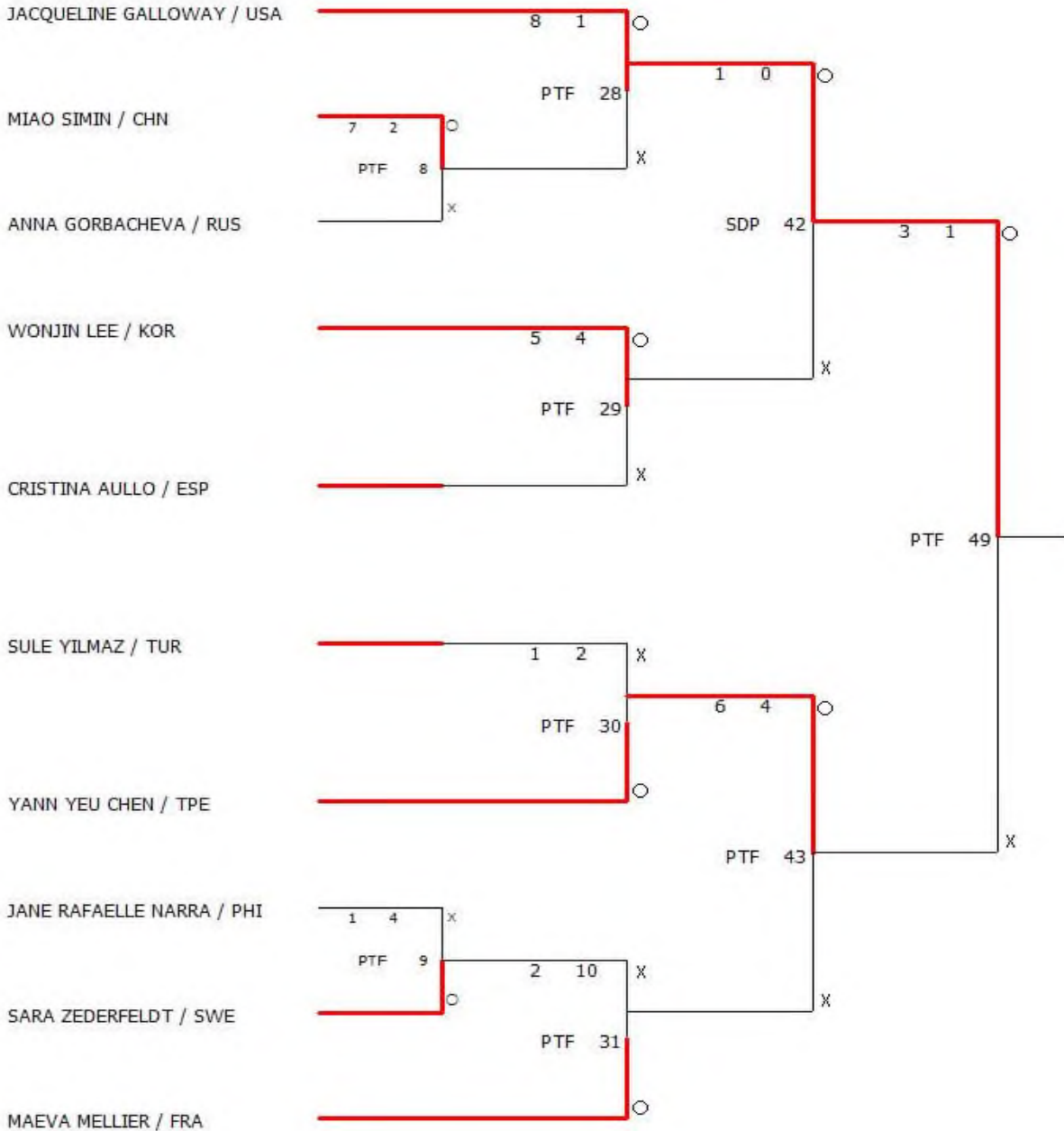
Signature: _____



第十三届世界大学生跆拳道锦标赛

The 13th World University Taekwondo Championships

Female/-73kg



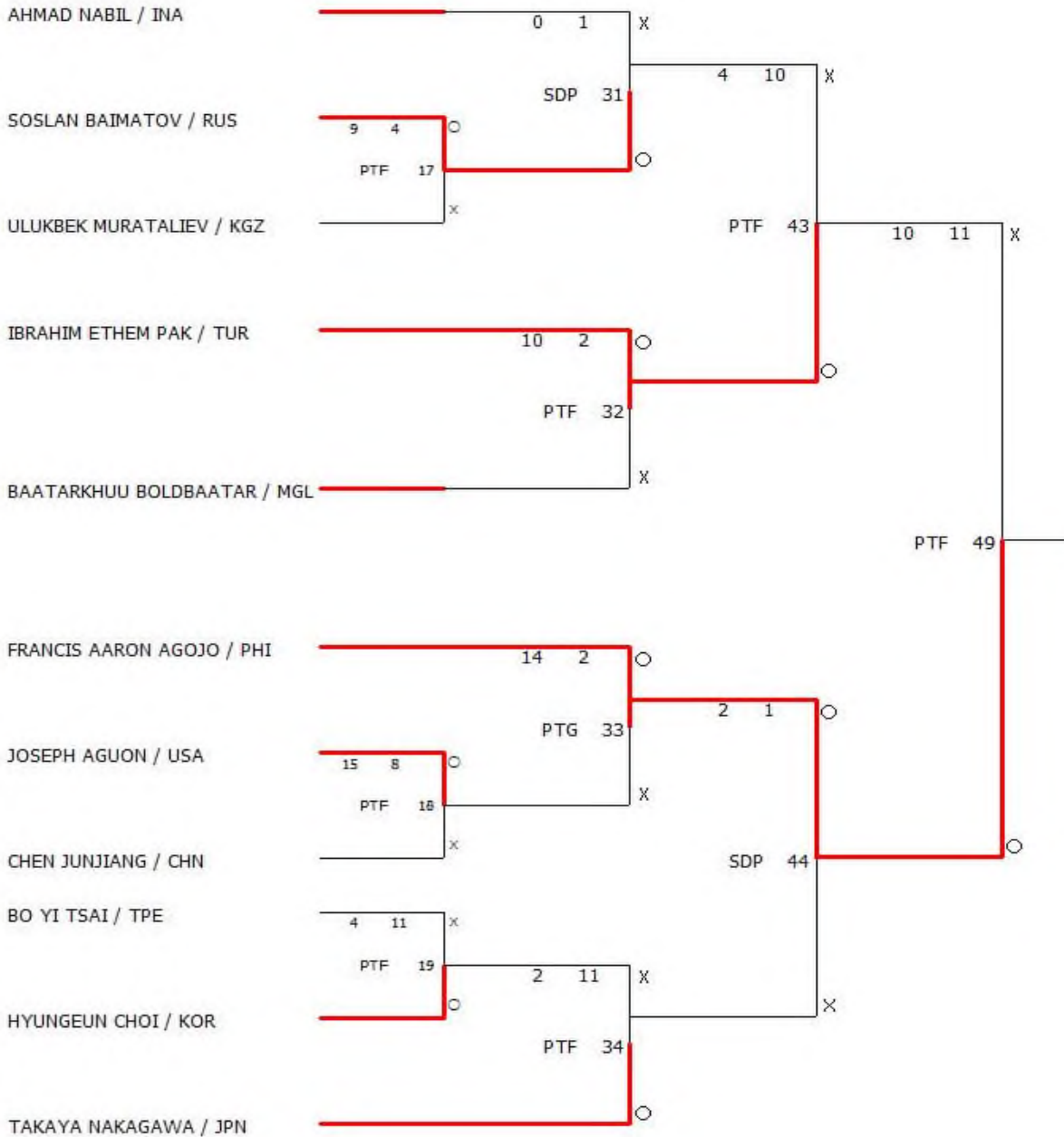
Signature: _____



第十三届世界大学生跆拳道锦标赛

The 13th World University Taekwondo Championships

Male/-54kg



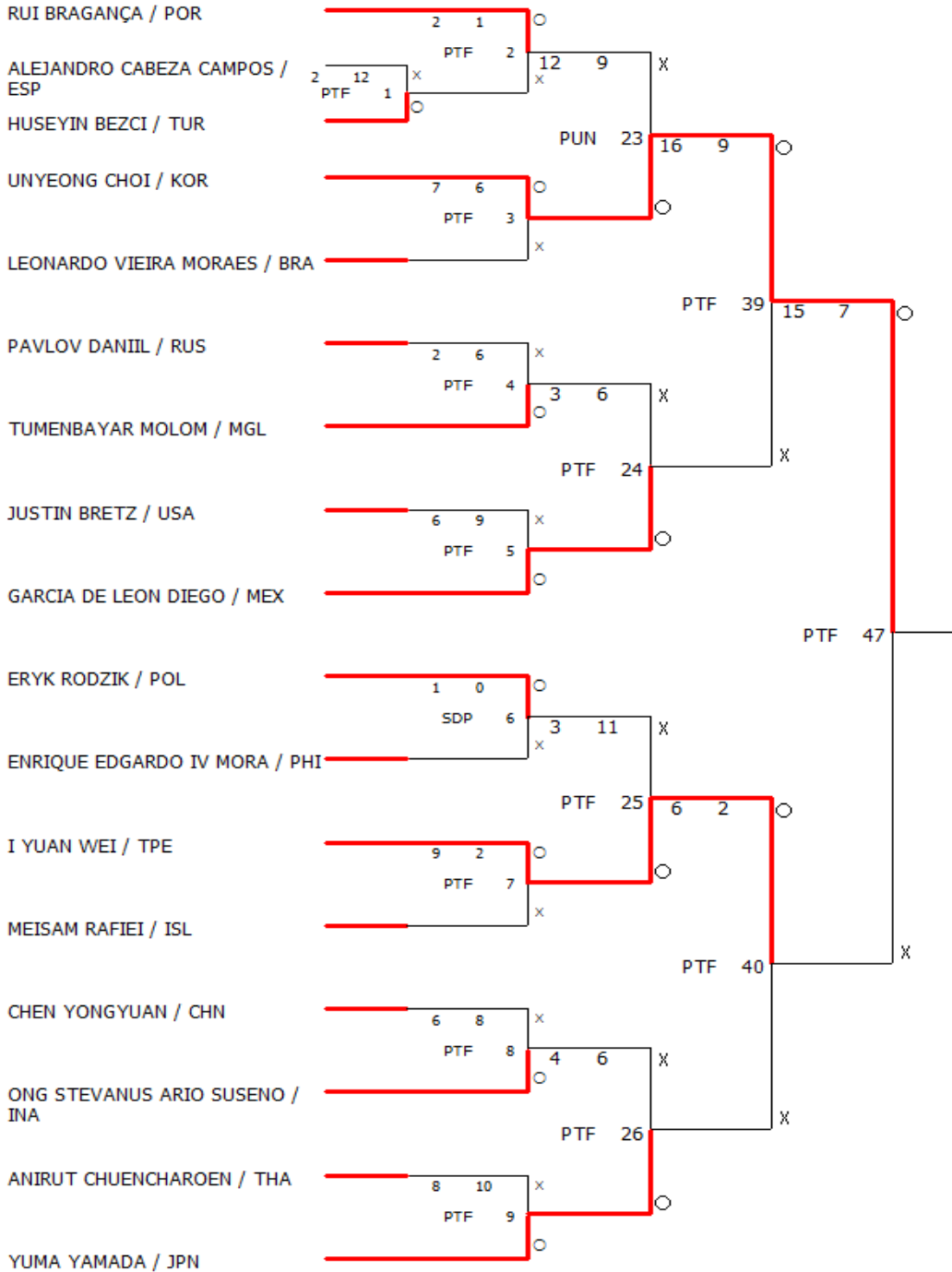
Signature: _____



第十三届世界大学生跆拳道锦标赛

The 13th World University Taekwondo Championships

Male/-58kg



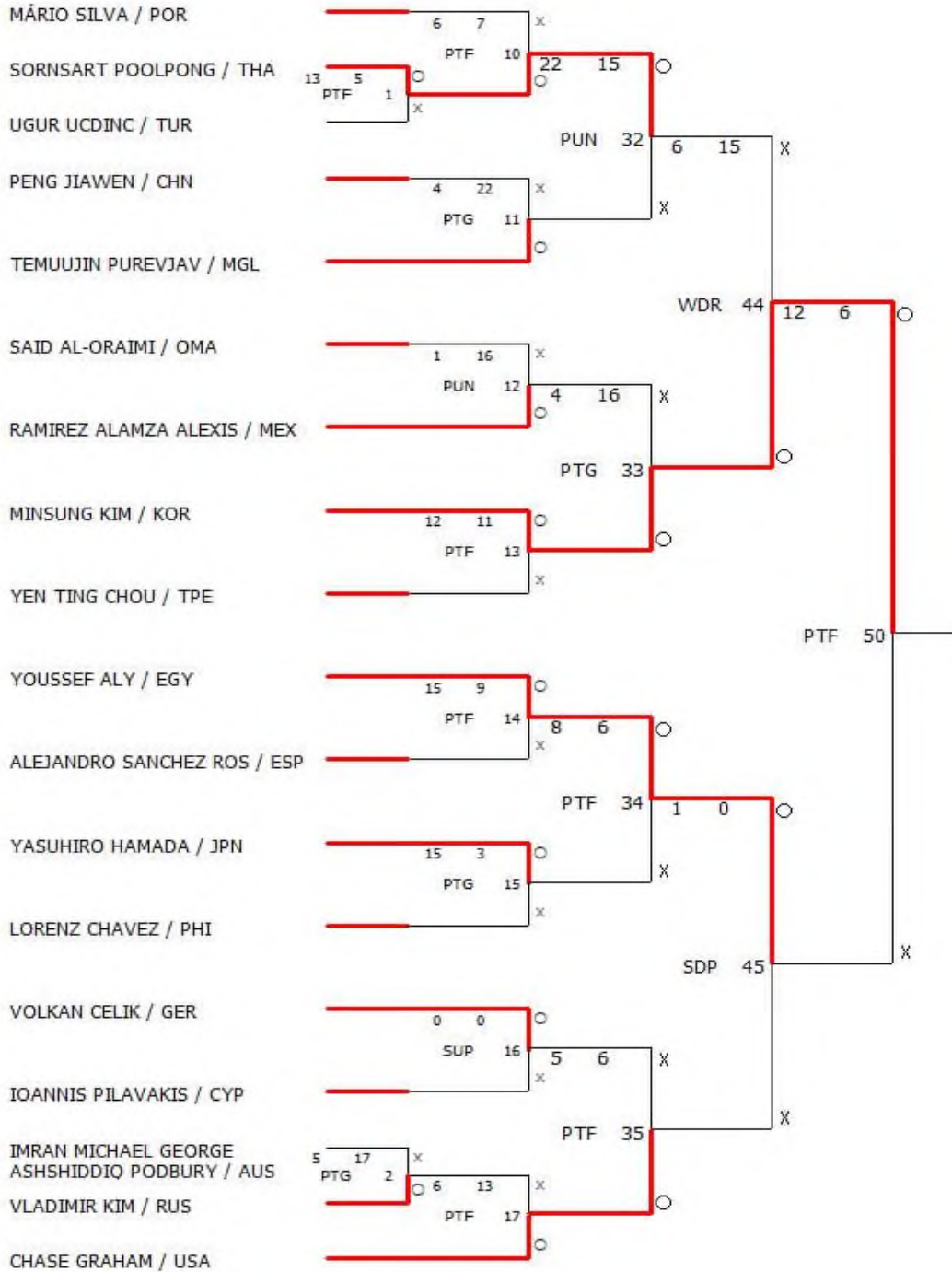
Signature: _____



第十三届世界大学生跆拳道锦标赛

The 13th World University Taekwondo Championships

Male/-63kg



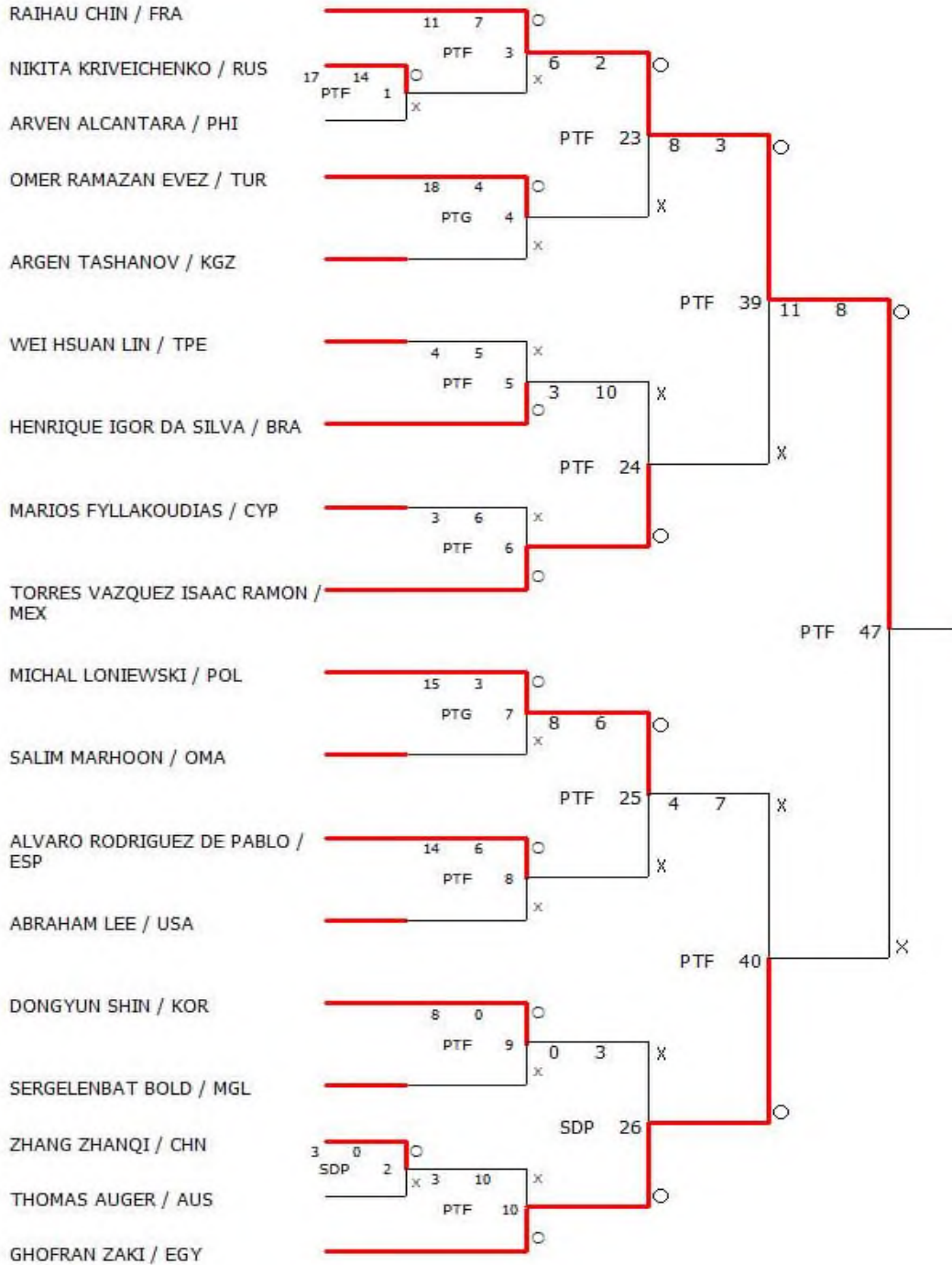
Signature: _____



第十三届世界大学生跆拳道锦标赛

The 13th World University Taekwondo Championships

Male/-68kg



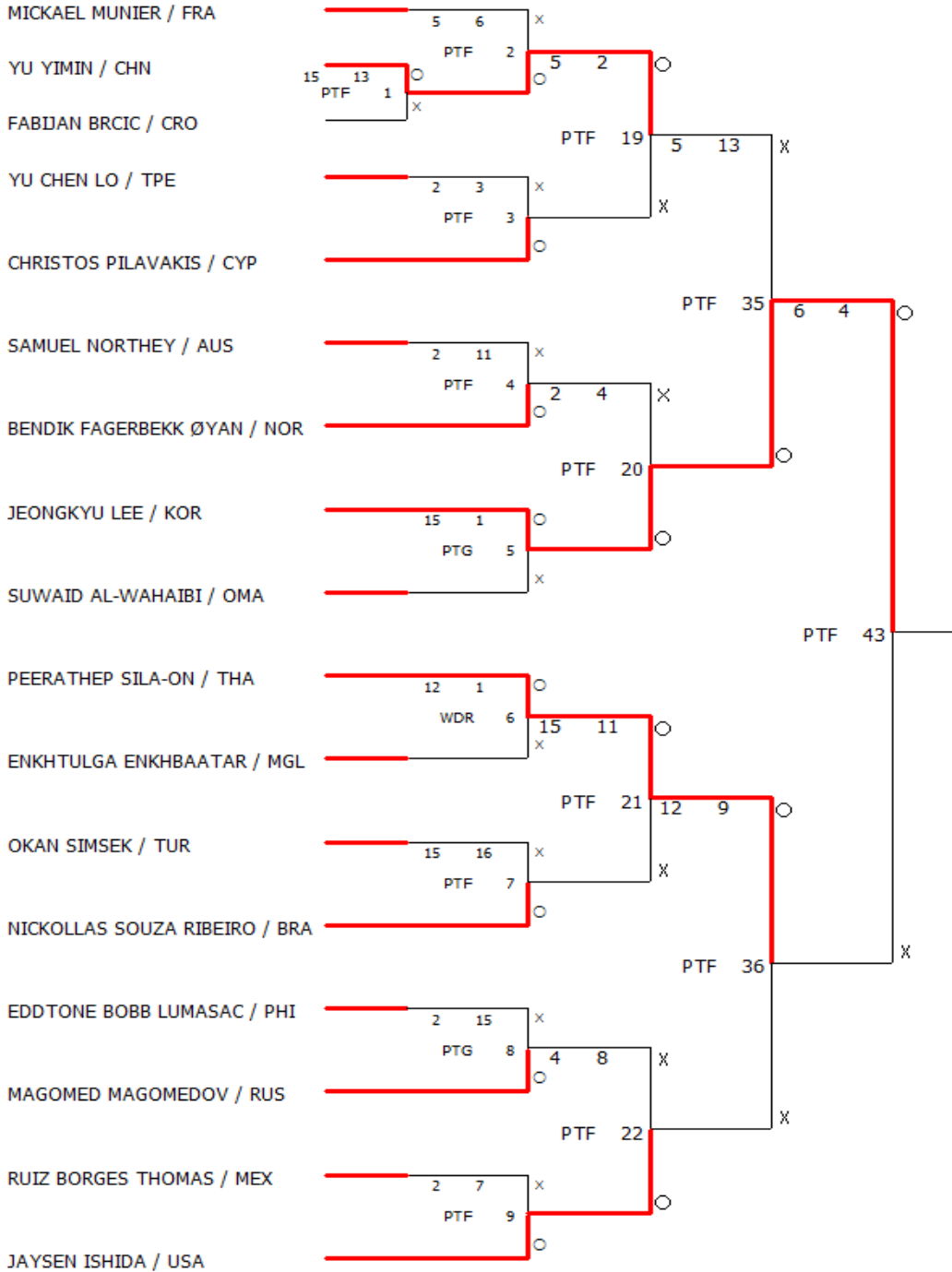
Signature: _____



第十三届世界大学生跆拳道锦标赛

The 13th World University Taekwondo Championships

Male/-74kg



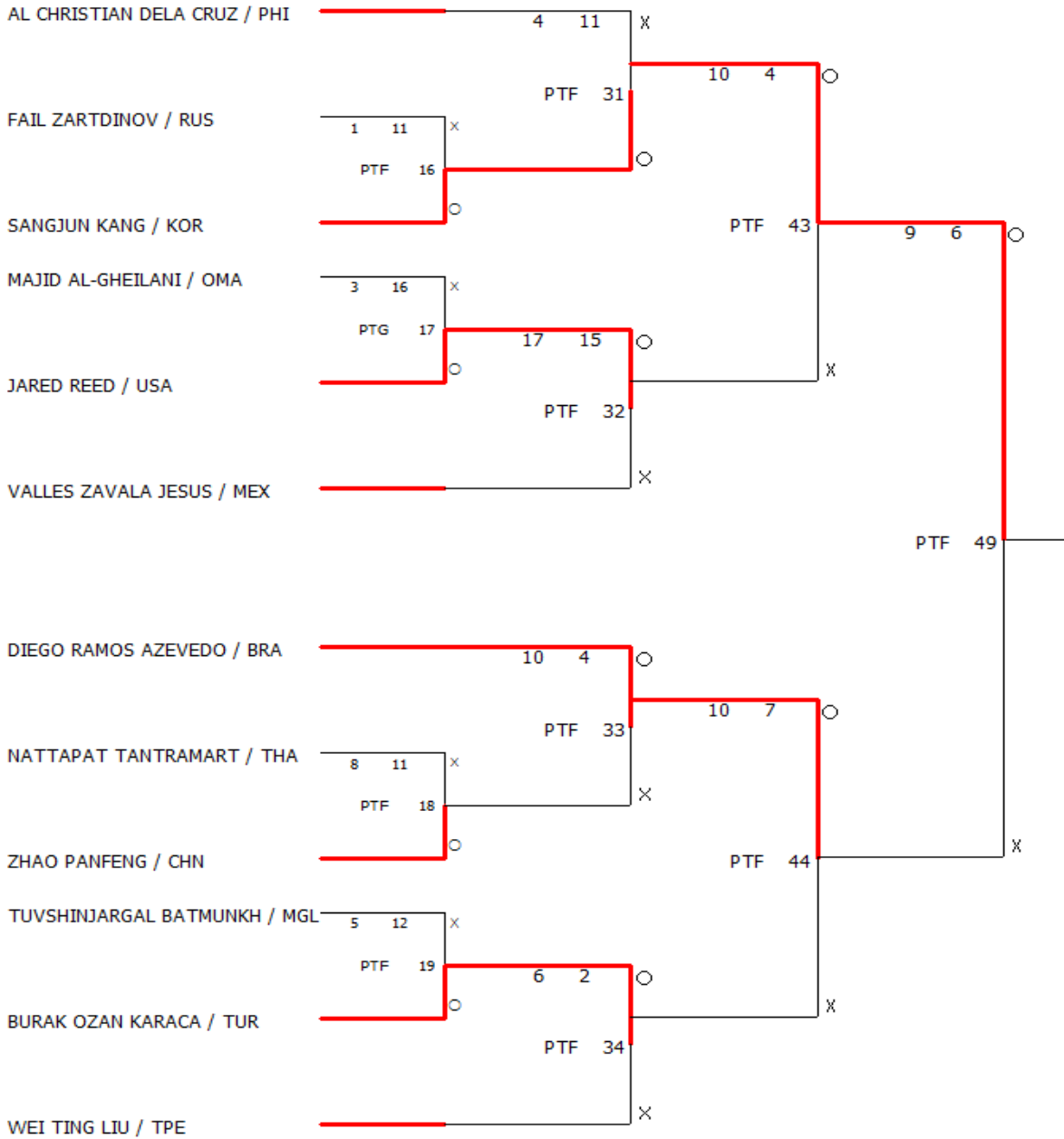
Signature: _____



第十三届世界大学生跆拳道锦标赛

The 13th World University Taekwondo Championships

Male/-80kg

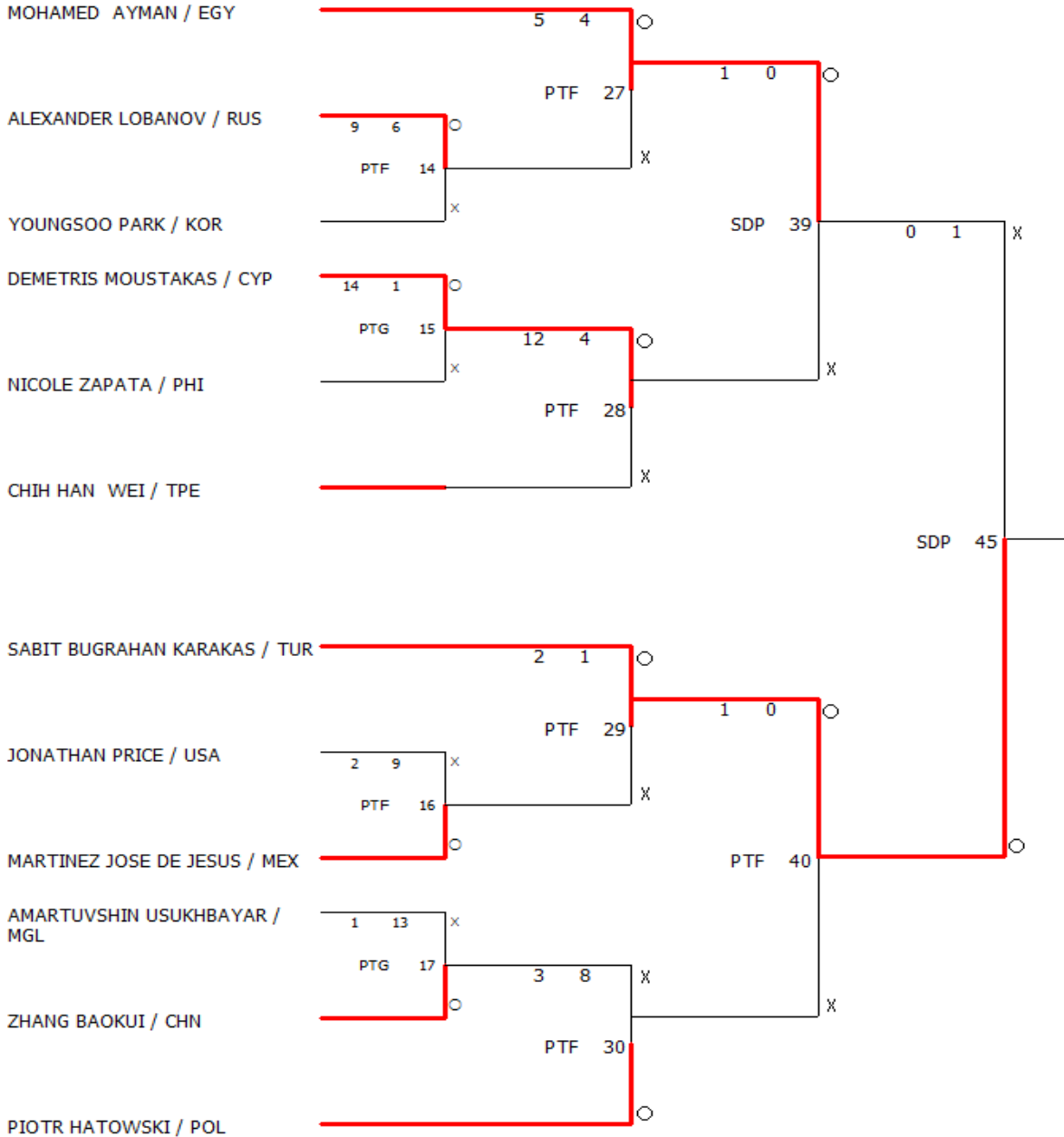


Signature: _____



第十三届世界大学生跆拳道锦标赛

The 13th World University Taekwondo Championships
Male/+87kg



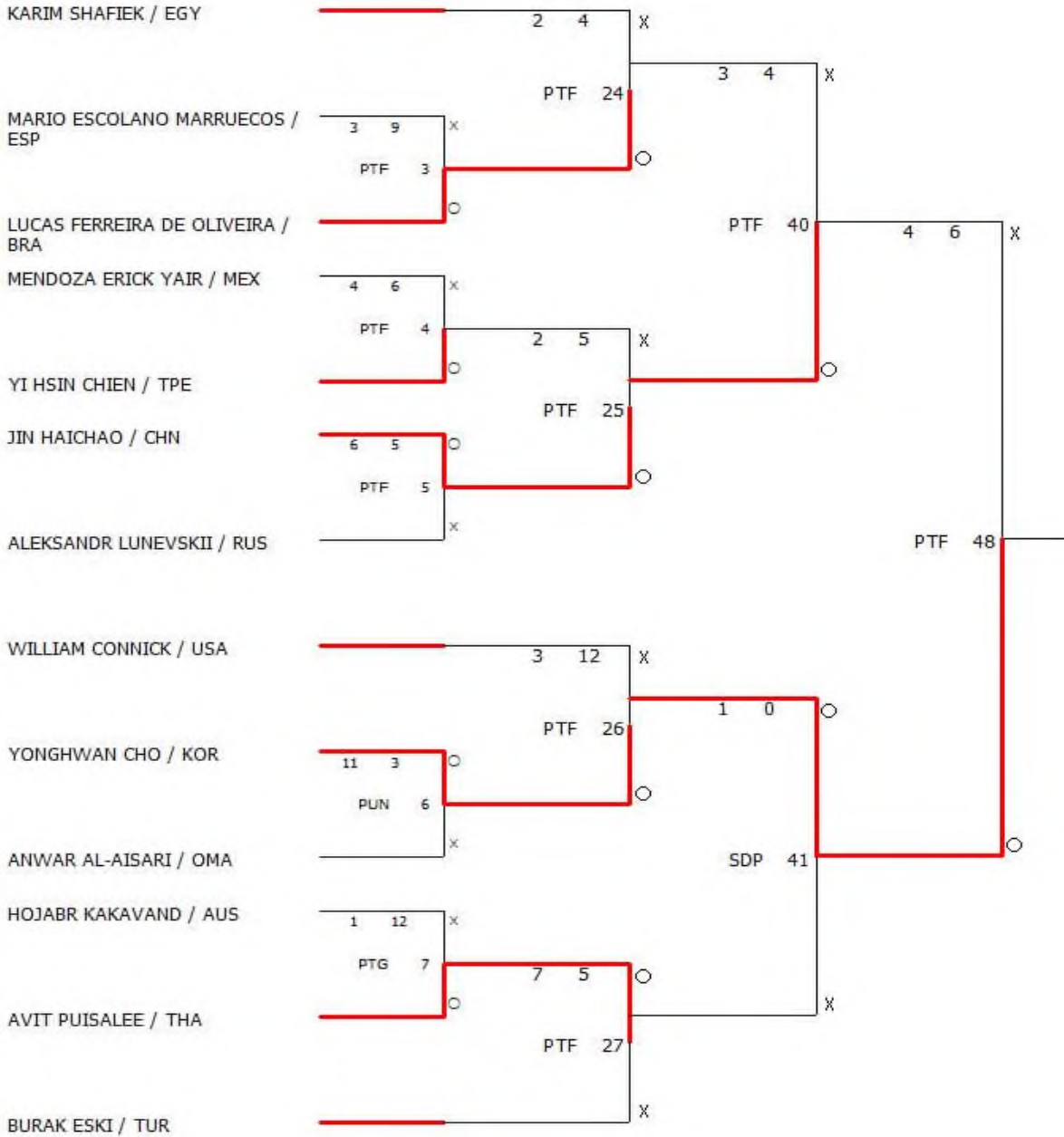
Signature: _____



第十三届世界大学生跆拳道锦标赛

The 13th World University Taekwondo Championships

Male/-87kg

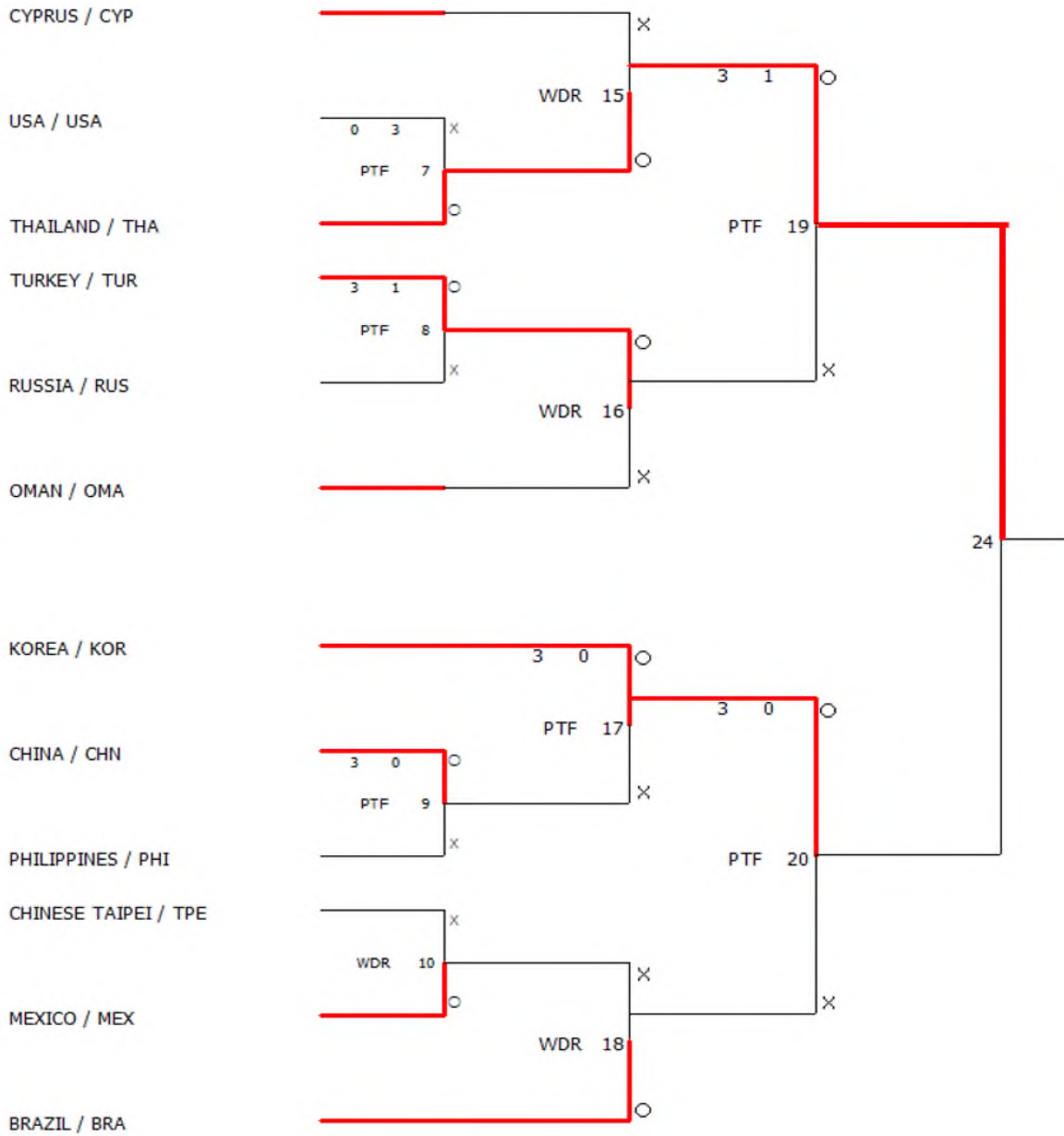


Signature: _____



第十三届世界大学生跆拳道锦标赛

The 13th World University Taekwondo Championships Team / Female



Signature: _____